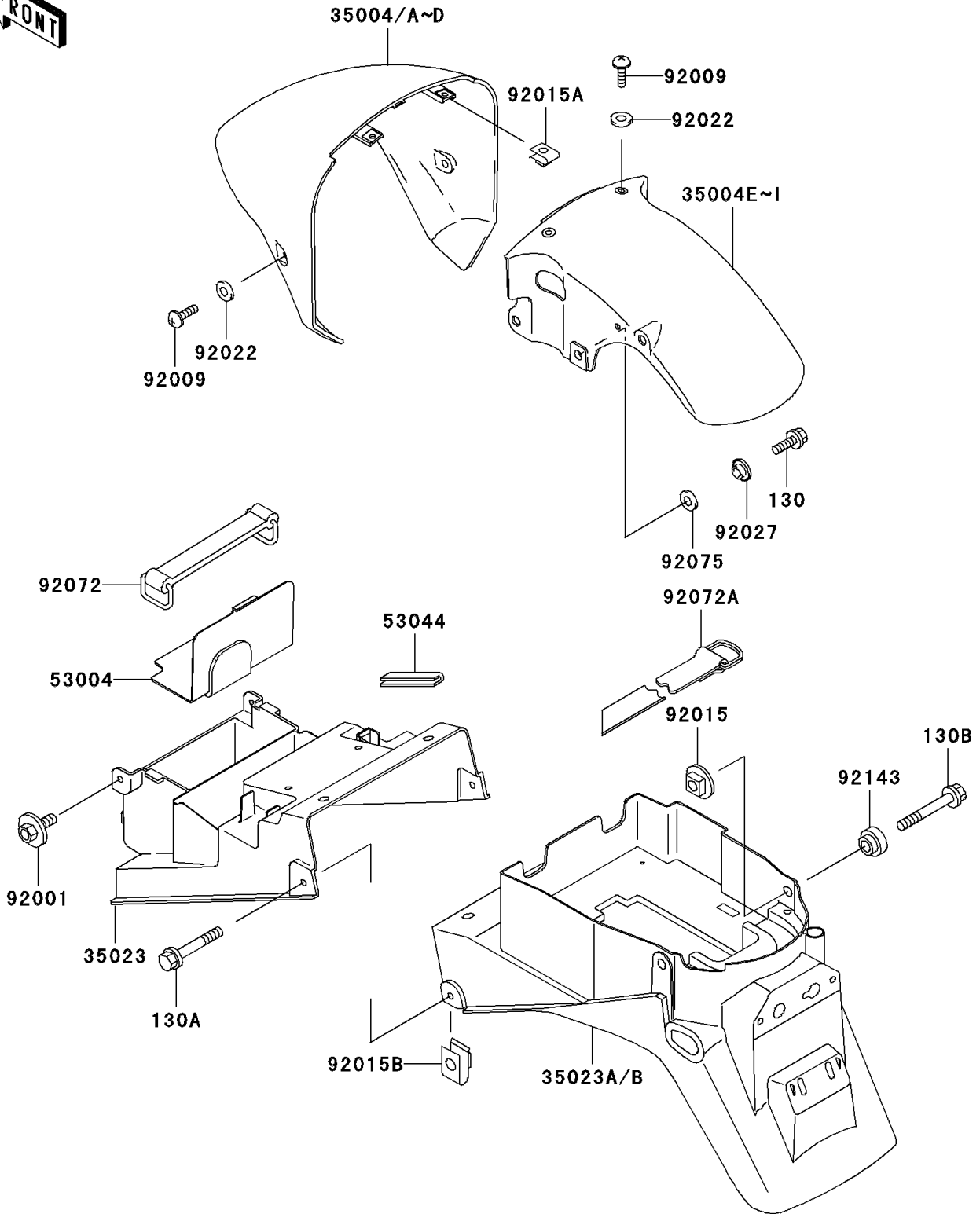


## 1998 Ninja® ZX™-7R PARTS DIAGRAM

Fenders

F2170



## 1998 Ninja® ZX™-7R PARTS LIST

### Fenders

ITEM NAME	PART NUMBER	QUANTITY
BOLT-FLANGED,6X16 (Ref # 130)	130H0616	1
BOLT-FLANGED,6X35 (Ref # 130A)	130J0635	1
BOLT-FLANGED,6X40,BLACK (Ref # 130B)	130J0640	1
FENDER-FRONT,FR,BLACK MICA (Ref # 35004C)	35004-1333-20	1
FENDER-FRONT,FR,L.GREEN (Ref # 35004D)	35004-1333-7F	1
FENDER-FRONT,RR,BLACK MICA (Ref # 35004H)	35004-1334-20	1
FENDER-FRONT,RR,L.GREEN (Ref # 35004I)	35004-1334-7F	1
FENDER-REAR,FR (Ref # 35023)	35023-1427	1
MAT,BATTERY (Ref # 53004)	53004-1109	1
TRIM,L=60 (Ref # 53044)	53044-1249	1
BOLT,6X16 (Ref # 92001)	92001-1950	1
SCREW,5X16 (Ref # 92009)	92009-1654	1
NUT,6MM (Ref # 92015)	92015-1321	1
NUT,5MM (Ref # 92015A)	92015-1573	1
NUT,6MM (Ref # 92015B)	92015-1602	1
WASHER,NYLON,5.3X11.5X1.5 (Ref # 92022)	92022-1521	1
COLLAR,COWLING STAY (Ref # 92027)	92027-1667	1
BAND,L=142.1 (Ref # 92072)	92072-006	1
DAMPER (Ref # 92075)	92075-1564	1
COLLAR (Ref # 92143)	92143-1848	1
FENDER-REAR,RR (Ref # 35023A)	35023-1428	1
FENDER-REAR,RR (Ref # 35023B)	35023-1430	1
BAND,L=470 (Ref # 92072A)	92072-1331	1