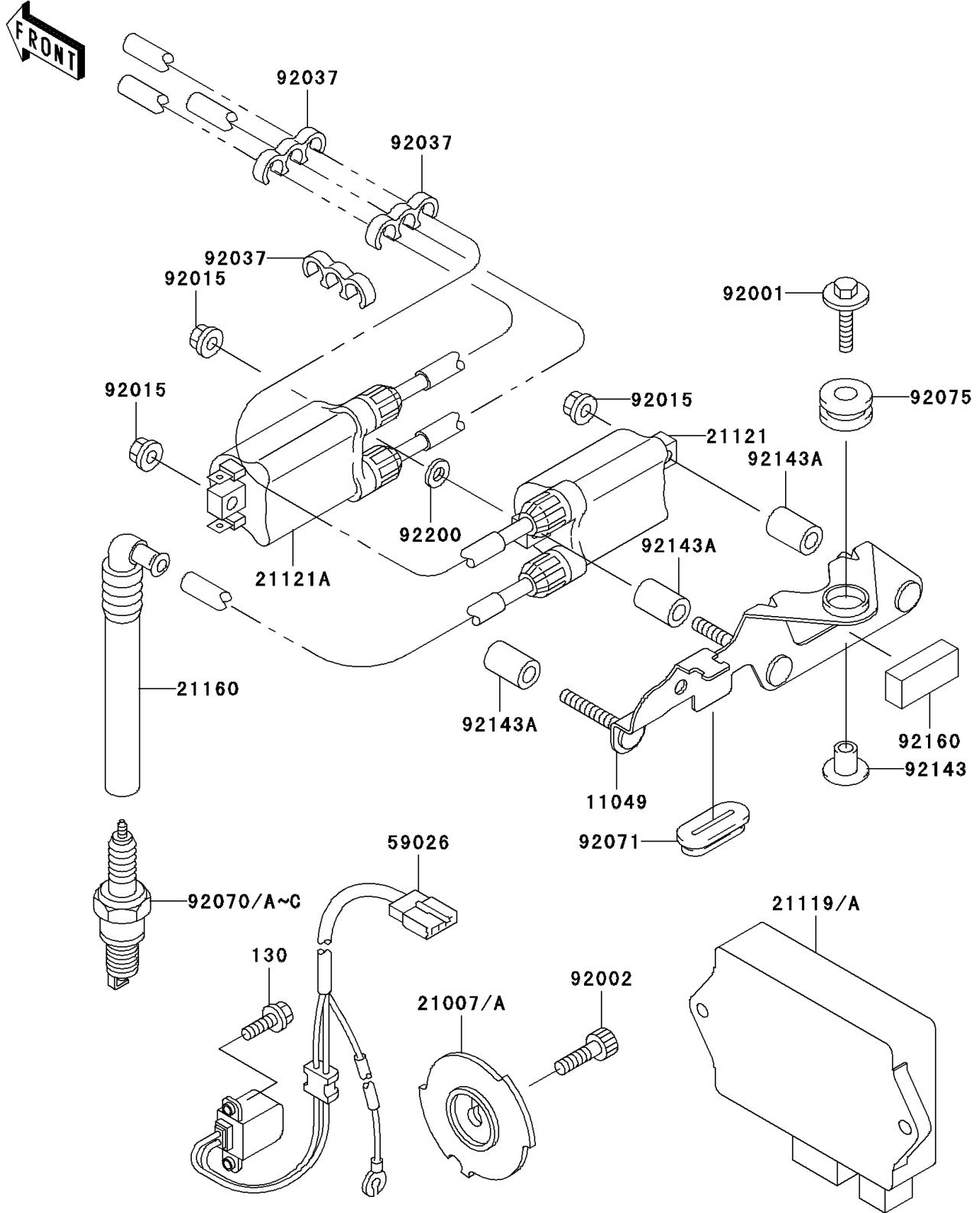


1997 Ninja® ZX™-7R PARTS DIAGRAM

Ignition System

E1830



1997 Ninja® ZX™ -7R PARTS LIST

Ignition System

ITEM NAME	PART NUMBER	QUANTITY
BOLT-FLANGED (Ref # 130)	130G0512	2
BRACKET,IGNITION (Ref # 11049)	11049-1705	1
COIL-IGNITION,#1 (Ref # 21121)	21121-1253	1
COIL-IGNITION,#2 (Ref # 21121A)	21121-1255	1
CAP-ASSY-PLUG (Ref # 21160)	21160-1088	4
COIL-PULSING (Ref # 59026)	59026-1104	1
BOLT,6X30 (Ref # 92001)	92001-1776	1
BOLT,SOCKET,8X20 (Ref # 92002)	92002-1178	1
NUT,FLANGED,6MM (Ref # 92015)	92015-1193	3
CLAMP,TUBE (Ref # 92037)	92037-1941	3
PLUG-SPARK,CR9E(NGK) (Ref # 92070)	92070-1143	4
PLUG-SPARK,U27ESR-N(ND) (Ref # 92070A)		4
PLUG-SPARK,CR8E(NGK) (Ref # 92070B)	92070-1169	4
PLUG-SPARK,U24ESR-N(ND) (Ref # 92070C)		4
GROMMET (Ref # 92071)	92071-1187	1
DAMPER,MUFFLER FITTING (Ref # 92075)	92075-1857	1
COLLAR (Ref # 92143)	92143-1353	1
COLLAR,6.4X10X20 (Ref # 92143A)	92143-1858	3
DAMPER,BRACKET (Ref # 92160)	92160-1736	1
WASHER,6.5X13 (Ref # 92200)	92200-1271	1
ROTOR,PULSING (Ref # 21007)	21007-1294	1
ROTOR,PULSING (Ref # 21007A)	21007-1295	1
IGNITER (Ref # 21119)	21119-1460	1
IGNITER (Ref # 21119A)	21119-1462	1