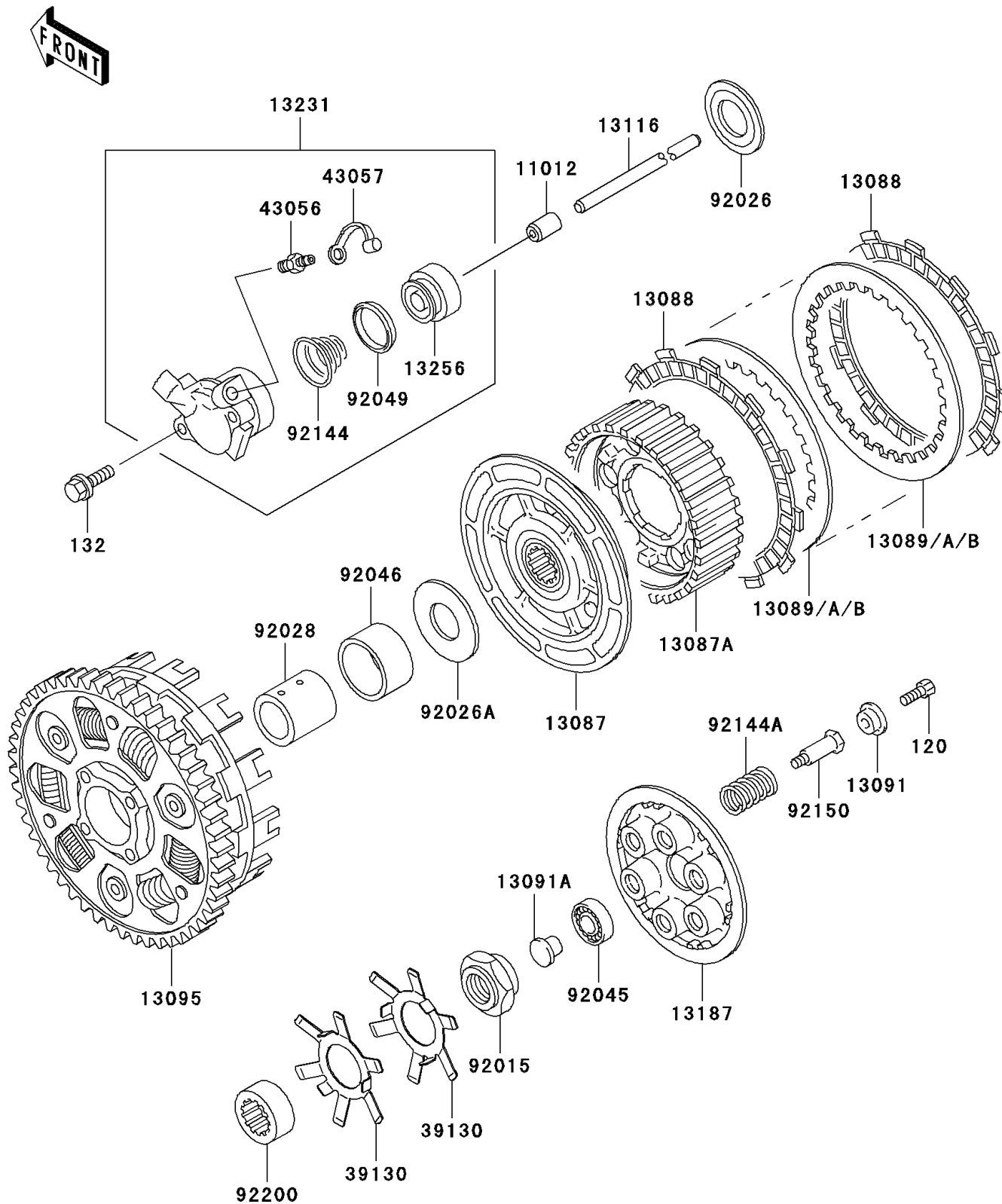


1998 Ninja® ZX™-7R PARTS DIAGRAM

Clutch

E1350



1998 Ninja® ZX™-7R PARTS LIST

Clutch

ITEM NAME	PART NUMBER	QUANTITY
BOLT-SOCKET,6X16 (Ref # 120)	120Q0616	1
BOLT-FLANGED-SMALL (Ref # 132)	132J0625	1
CAP,PUSHROD (Ref # 11012)	11012-1569	1
HUB-CLUTCH (Ref # 13087)	13087-1157	1
HUB-CLUTCH (Ref # 13087A)	13087-1165	1
PLATE-FRICTION (Ref # 13088)	13088-040	1
PLATE-CLUTCH,T=2.0 (Ref # 13089)	13089-026	1
PLATE-CLUTCH,T=2.3 (Ref # 13089A)	13089-1004	1
PLATE-CLUTCH,T=2.6 (Ref # 13089B)	13089-1067	1
HOLDER,CLUTCH SPRING (Ref # 13091)	13091-1041	1
HOLDER,CLUTCH PUSH ROD (Ref # 13091A)	13091-1085	1
HOUSING-COMP-CLUTCH (Ref # 13095)	13095-1328	1
ROD-PUSH (Ref # 13116)	13116-1151	1
PLATE-CLUTCH OPERATING (Ref # 13187)	13187-1067	1
RELEASE-ASSY-CLUTCH (Ref # 13231)	13231-1065	1
PISTON (Ref # 13256)	13256-1052	1
SPRING-LEAF (Ref # 39130)	39130-1071	1
BREATHER-BRAKE (Ref # 43056)	43056-1052	1
CAP-BREATHER (Ref # 43057)	43057-1001	1
NUT (Ref # 92015)	92015-1929	1
SPACER (Ref # 92026)	92026-1356	1
SPACER,25X54X3 (Ref # 92026A)	92026-1467	1
BUSHING (Ref # 92028)	92028-1783	1
BEARING-BALL,6001C3ML01 (Ref # 92045)	92045-1235	1
BEARING-NEEDLE (Ref # 92046)	92046-1250	1
SEAL-OIL,PISTON (Ref # 92049)	92049-1165	1
SPRING,CLUTCH RELEASE (Ref # 92144)	92144-1084	1
SPRING,CLUTCH (Ref # 92144A)	92144-1630	1
BOLT,CLUTCH (Ref # 92150)	92150-1477	1

1998 Ninja® ZX™-7R PARTS LIST

Clutch

ITEM NAME	PART NUMBER	QUANTITY
WASHER (Ref # 92200)	92200-1205	1