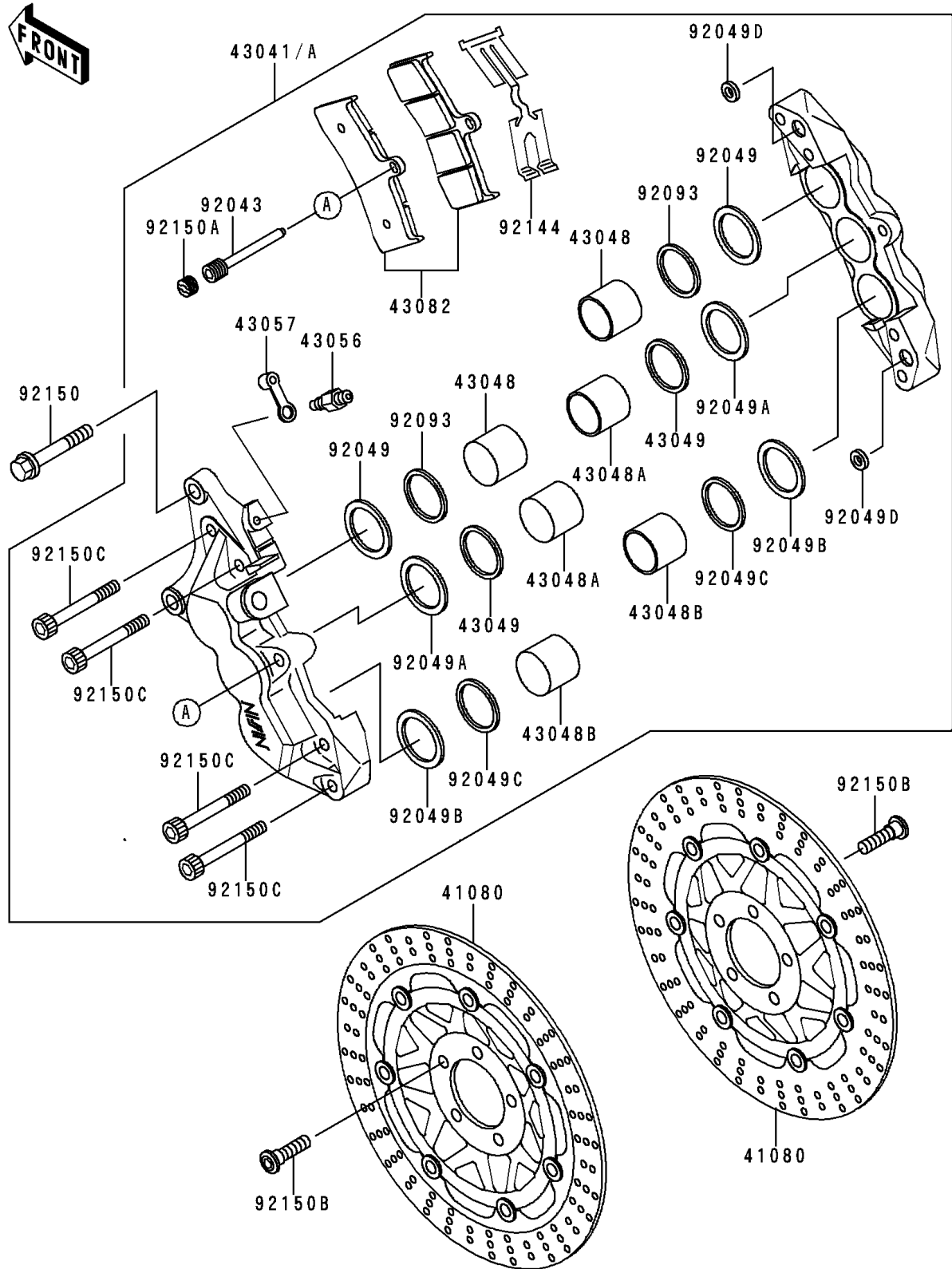


1997 Ninja® ZX™-7RR PARTS DIAGRAM

Front Brake

F2292



1997 Ninja® ZX™-7RR PARTS LIST

Front Brake

ITEM NAME	PART NUMBER	QUANTITY
DISC,FR,GRAY (Ref # 41080)	41080-1408-FF	2
CALIPER-ASSY,FR,LH (Ref # 43041)	43041-1584	1
CALIPER-ASSY,FR,RH (Ref # 43041A)	43041-1585	1
PISTON-CALIPER (Ref # 43048)	43048-1074	4
PISTON-CALIPER (Ref # 43048A)	43048-1075	4
PISTON-CALIPER (Ref # 43048B)	43048-1076	4
PACKING (Ref # 43049)	43049-1064	4
BREATHER-BRAKE (Ref # 43056)	43056-1055	2
CAP-BREATHER (Ref # 43057)	43057-1001	2
PAD-ASSY-BRAKE (Ref # 43082)	43082-1181	2
PIN,HANGER (Ref # 92043)	92043-1520	2
SEAL-OIL (Ref # 92049)	92049-1442	4
SEAL-OIL (Ref # 92049A)	92049-1443	4
SEAL-OIL (Ref # 92049B)	92049-1444	4
SEAL-OIL (Ref # 92049C)	92049-1447	4
SEAL-OIL (Ref # 92049D)	92049-1448	4
SEAL,PISTON (Ref # 92093)	92093-1272	4
SPRING,PAD (Ref # 92144)	92144-1901	2
BOLT,FLANGED,10X38 (Ref # 92150)	92150-1297	4
BOLT,PLUG (Ref # 92150A)	92150-1692	2
BOLT,SOCKET,8X30 (Ref # 92150B)	92150-1771	10
BOLT (Ref # 92150C)	92150-1971	8