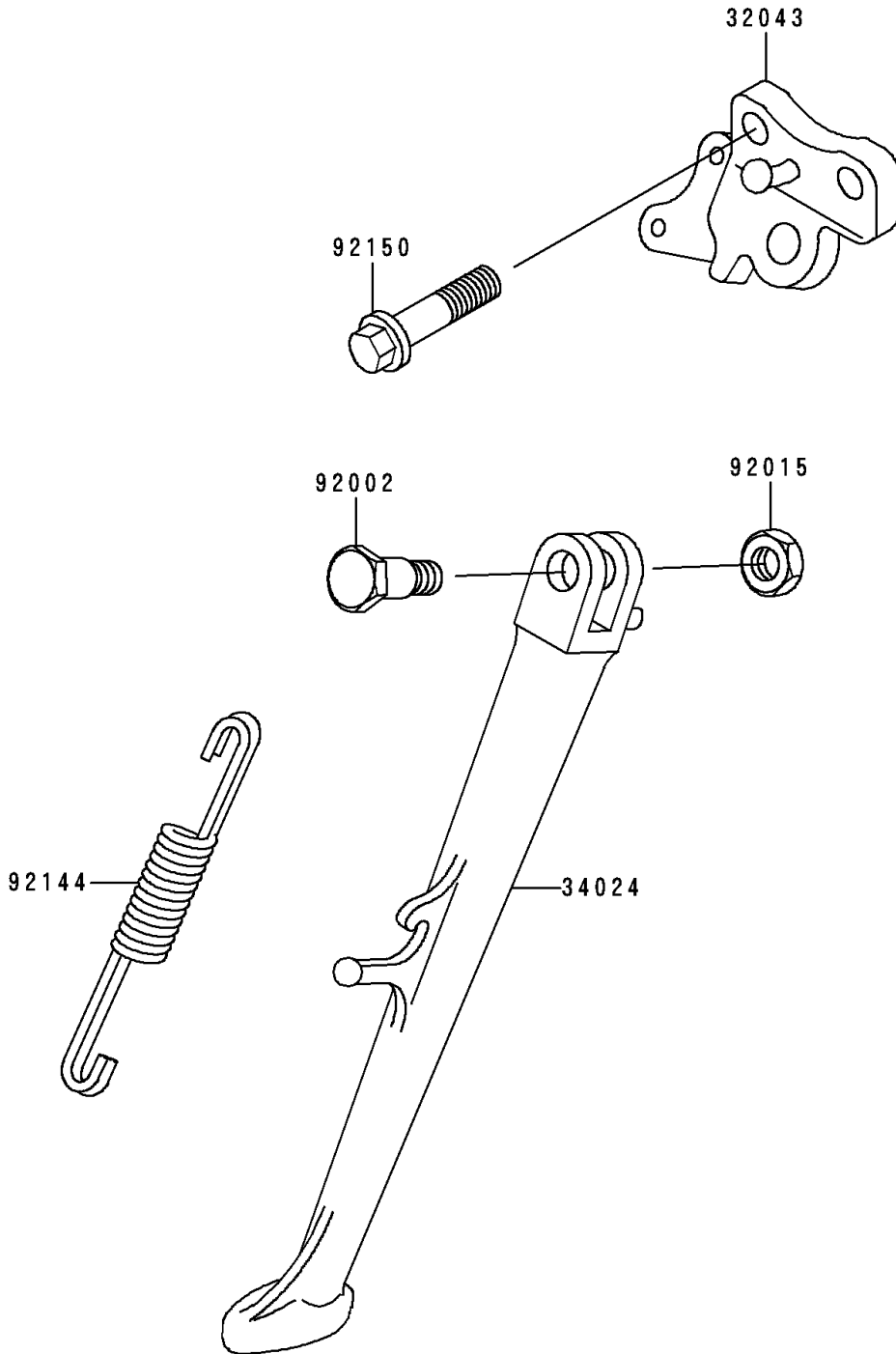


# 1997 Ninja® ZX™-7RR PARTS DIAGRAM

Stand(s)

F2190



# 1997 Ninja® ZX™ -7RR PARTS LIST

Stand(s)

| ITEM NAME                         | PART NUMBER | QUANTITY |
|-----------------------------------|-------------|----------|
| BRACKET-STAND,SIDE (Ref # 32043)  | 32043-1407  | 1        |
| STAND-SIDE (Ref # 34024)          | 34024-1326  | 1        |
| BOLT,SIDE STAND (Ref # 92002)     | 92002-1813  | 1        |
| NUT,LOCK,10MM,BLACK (Ref # 92015) | 92015-1188  | 1        |
| SPRING,SIDE STAND (Ref # 92144)   | 92144-1127  | 1        |
| BOLT,FLANGED,10X35 (Ref # 92150)  | 92150-1353  | 2        |