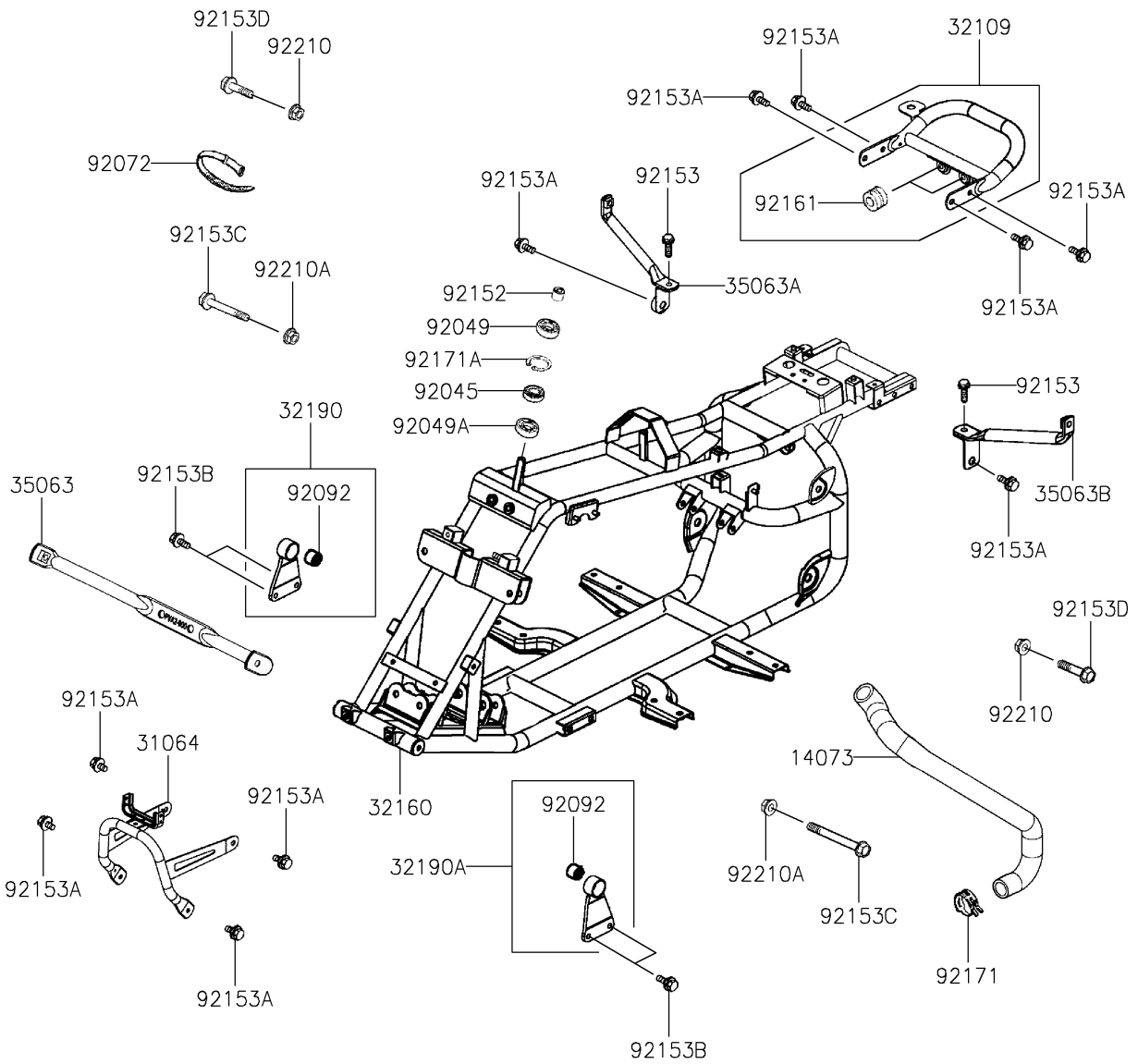


# 2026 KFX®50 PARTS DIAGRAM

Frame

F2120



## 2026 KFX® 50 PARTS LIST

### Frame

ITEM NAME	PART NUMBER	QUANTITY
DUCT (Ref # 14073)	14073-Y002	1
PIPE-COMP,FRONT BUMPER,BLACK (Ref # 31064)	31064-Y002-935	1
GRIP-FRAME,RR (Ref # 32109)	32109-Y006	1
FRAME-COMP (Ref # 32160)	32160-Y012	1
BRACKET-ENGINE,RH (Ref # 32190)	32190-Y001	1
BRACKET-ENGINE,LH (Ref # 32190A)	32190-Y002	1
STAY,FR (Ref # 35063)	35063-Y002	1
STAY,REAR FENDER,RH (Ref # 35063A)	35063-Y004	1
STAY,REAR FENDER,LH (Ref # 35063B)	35063-Y005	1
BEARING-BALL,6002 (Ref # 92045)	92045-Y009	1
SEAL-OIL,18X32X7 (Ref # 92049)	92049-Y003	1
SEAL-OIL,22X35X7 (Ref # 92049A)	92049-Y005	1
BAND (Ref # 92072)	92072-Y003	1
BUSHING-RUBBER (Ref # 92092)	92092-Y001	2
COLLAR (Ref # 92152)	92152-Y009	1
BOLT,FLANGE,6X12 (Ref # 92153)	92153-Y023	2
BOLT,FLANGE,8X12 (Ref # 92153A)	92153-Y031	10
BOLT,FLANGE,8X16 (Ref # 92153B)	92153-Y032	4
BOLT,FLANGE,10X70 (Ref # 92153C)	92153-Y043	2
BOLT,FLANGE,8X40 (Ref # 92153D)	92153-Y069	2
DAMPER (Ref # 92161)	92161-Y006	2
CLAMP (Ref # 92171)	92171-Y004	1
CLAMP (Ref # 92171A)	92171-Y009	1
NUT,FLANGE,8MM (Ref # 92210)	92210-Y032	2
NUT,10MM (Ref # 92210A)	92210-Y034	2