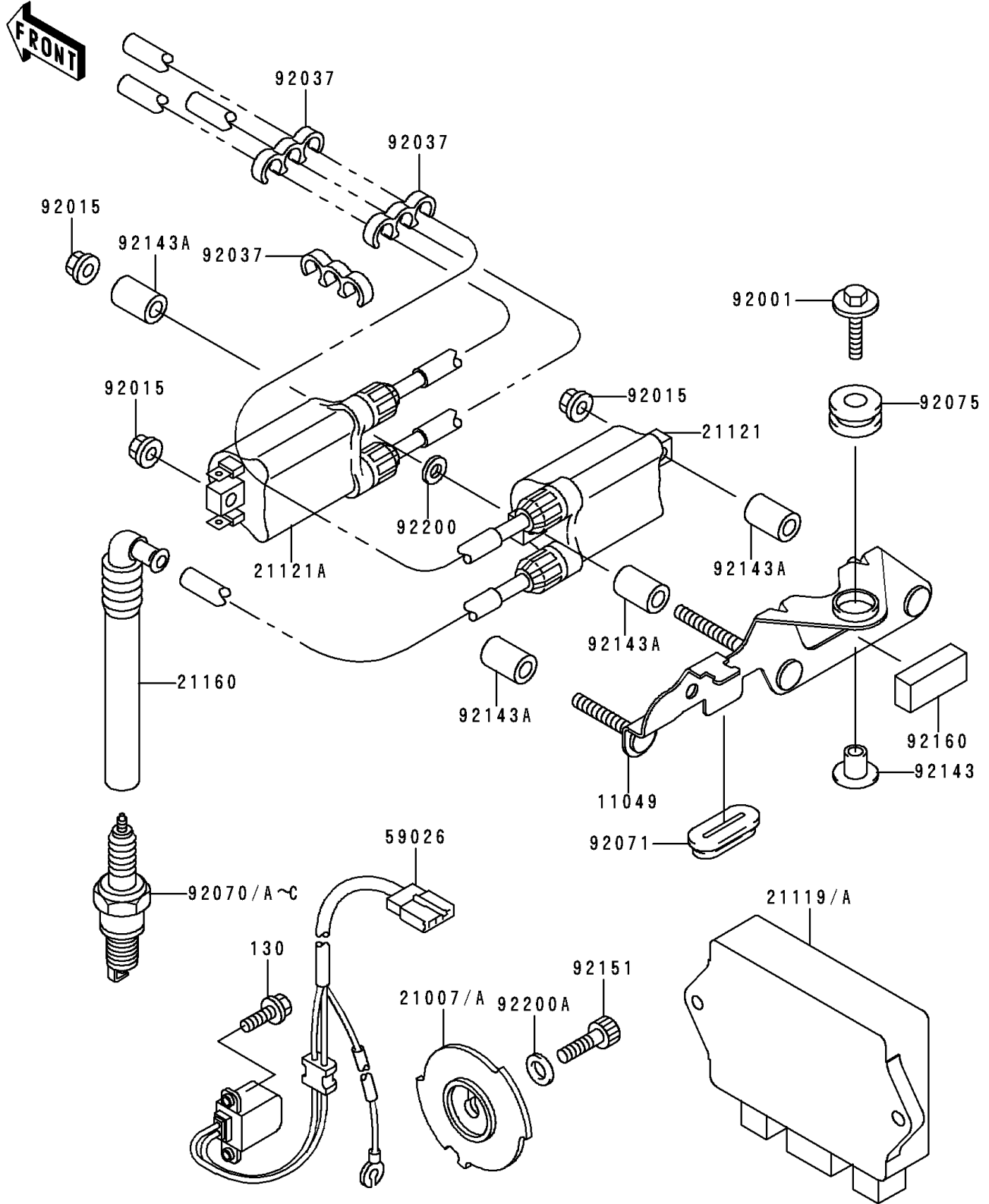


1997 Ninja® ZX™-7RR PARTS DIAGRAM

Ignition System

E1830



1997 Ninja® ZX™-7RR PARTS LIST

Ignition System

| ITEM NAME | PART NUMBER | QUANTITY |
|--|-------------|----------|
| BOLT-FLANGED (Ref # 130) | 130G0512 | 2 |
| BRACKET,IGNITION (Ref # 11049) | 11049-1707 | 1 |
| ROTOR,PULSING (Ref # 21007) | 21007-1294 | 1 |
| IGNITER (Ref # 21119) | 21119-1461 | 1 |
| COIL-IGNITION,#1 (Ref # 21121) | 21121-1253 | 1 |
| COIL-IGNITION,#2 (Ref # 21121A) | 21121-1255 | 1 |
| CAP-ASSY-PLUG (Ref # 21160) | 21160-1088 | 4 |
| COIL-PULSING (Ref # 59026) | 59026-1104 | 1 |
| BOLT,6X30 (Ref # 92001) | 92001-1776 | 1 |
| NUT,FLANGED,6MM (Ref # 92015) | 92015-1193 | 3 |
| CLAMP,TUBE (Ref # 92037) | 92037-1941 | 3 |
| PLUG-SPARK,CR9E(NGK) (Ref # 92070) | 92070-1143 | 4 |
| PLUG-SPARK,U27ESR-N(ND) (Ref # 92070A) | | 4 |
| PLUG-SPARK,CR8E(NGK) (Ref # 92070B) | 92070-1169 | 4 |
| PLUG-SPARK,U24ESR-N(ND) (Ref # 92070C) | | 4 |
| GROMMET (Ref # 92071) | 92071-1187 | 1 |
| DAMPER,MUFFLER FITTING (Ref # 92075) | 92075-1857 | 1 |
| COLLAR (Ref # 92143) | 92143-1353 | 1 |
| COLLAR,6.4X10X20 (Ref # 92143A) | 92143-1858 | 4 |
| BOLT,SOCKET,8X22 (Ref # 92151) | 92151-1073 | 1 |
| DAMPER,BRACKET (Ref # 92160) | 92160-1736 | 1 |
| WASHER,6.5X13 (Ref # 92200) | 92200-1271 | 1 |
| WASHER,8.5X14.7X2 (Ref # 92200A) | 92200-1300 | 1 |