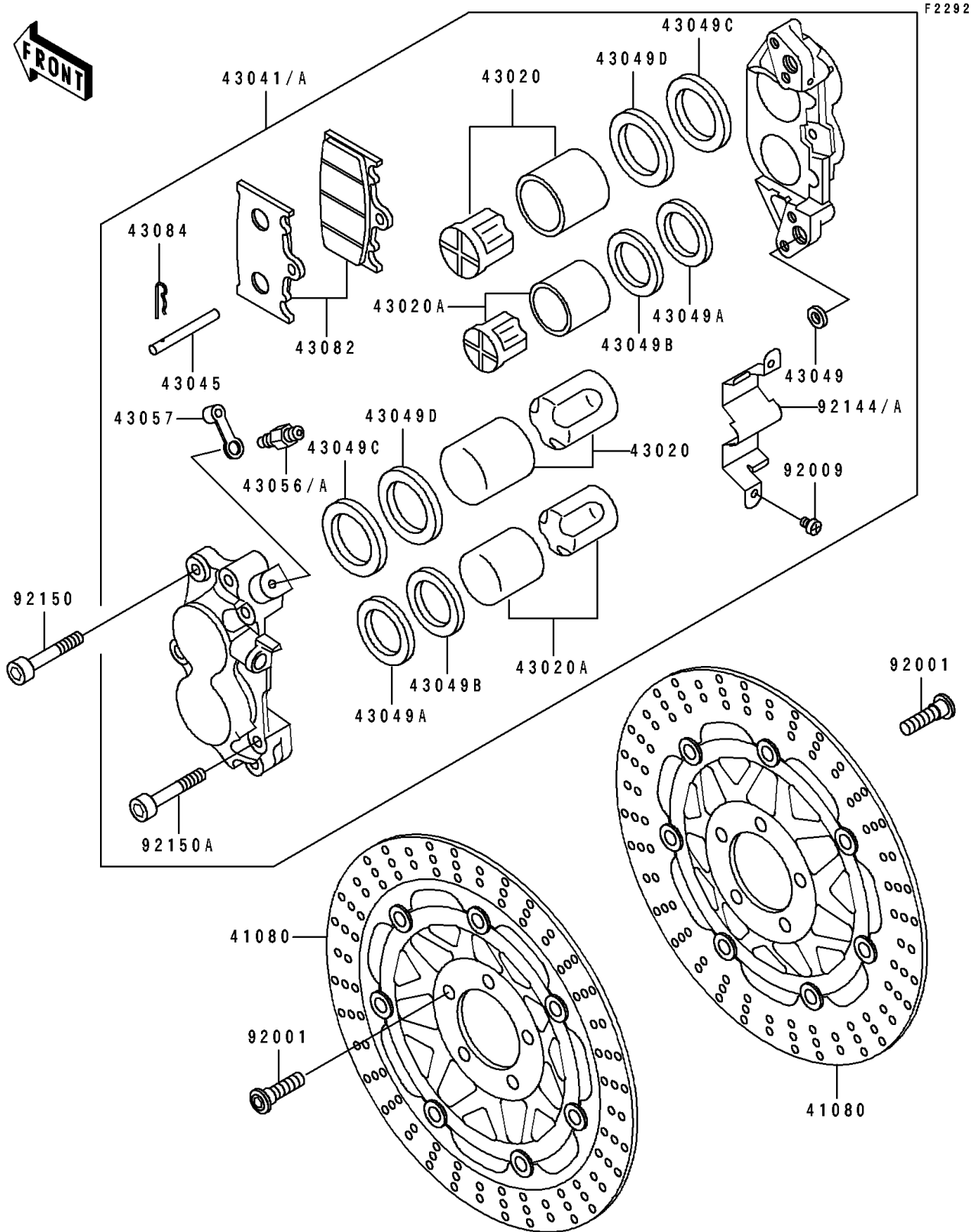


1993 Ninja® ZX™-7R PARTS DIAGRAM

Front Brake



1993 Ninja® ZX™-7R PARTS LIST

Front Brake

ITEM NAME	PART NUMBER	QUANTITY
DISC,FR,GRAY (Ref # 41080)	41080-1351-FF	1
PISTON-COMP-BRAKE (Ref # 43020)	43020-1085	1
PISTON-COMP-BRAKE (Ref # 43020A)	43020-1086	1
CALIPER-ASSY,FR,LH,M.F.GRAY (Ref # 43041)	43041-1499-FE	1
CALIPER-ASSY,FR,RH,M.F.GRAY (Ref # 43041A)	43041-1500-FE	1
SHAFT-CALIPER (Ref # 43045)	43045-007	1
PACKING,SEAL,6.5X11.5X2.2 (Ref # 43049)	43049-1004	1
PACKING,PISTON SEAL (Ref # 43049A)	43049-1054	1
PACKING,PISTON (Ref # 43049B)	43049-1055	1
PACKING,PISTON SEAL (Ref # 43049C)	43049-1056	1
PACKING,PISTON (Ref # 43049D)	43049-1057	1
BREATHER (Ref # 43056)	43056-003	1
BREATHER-BRAKE (Ref # 43056A)	43056-1054	1
CAP-BREATHER (Ref # 43057)	43057-003	1
PAD-ASSY-BRAKE (Ref # 43082)	43082-1142	1
CLAMP,PAD (Ref # 43084)	43084-003	1
BOLT,DISC PLATE,8X30 (Ref # 92001)	92001-1951	1
SCREW,4X6 (Ref # 92009)	92009-1569	1
SPRING (Ref # 92144)	92144-1399	1
SPRING,FR CALIPER,RH (Ref # 92144A)	92144-1400	1
BOLT,SOCKET,10X37 (Ref # 92150)	92150-1261	1
BOLT,SOCKET,8X40 (Ref # 92150A)	92150-1272	1