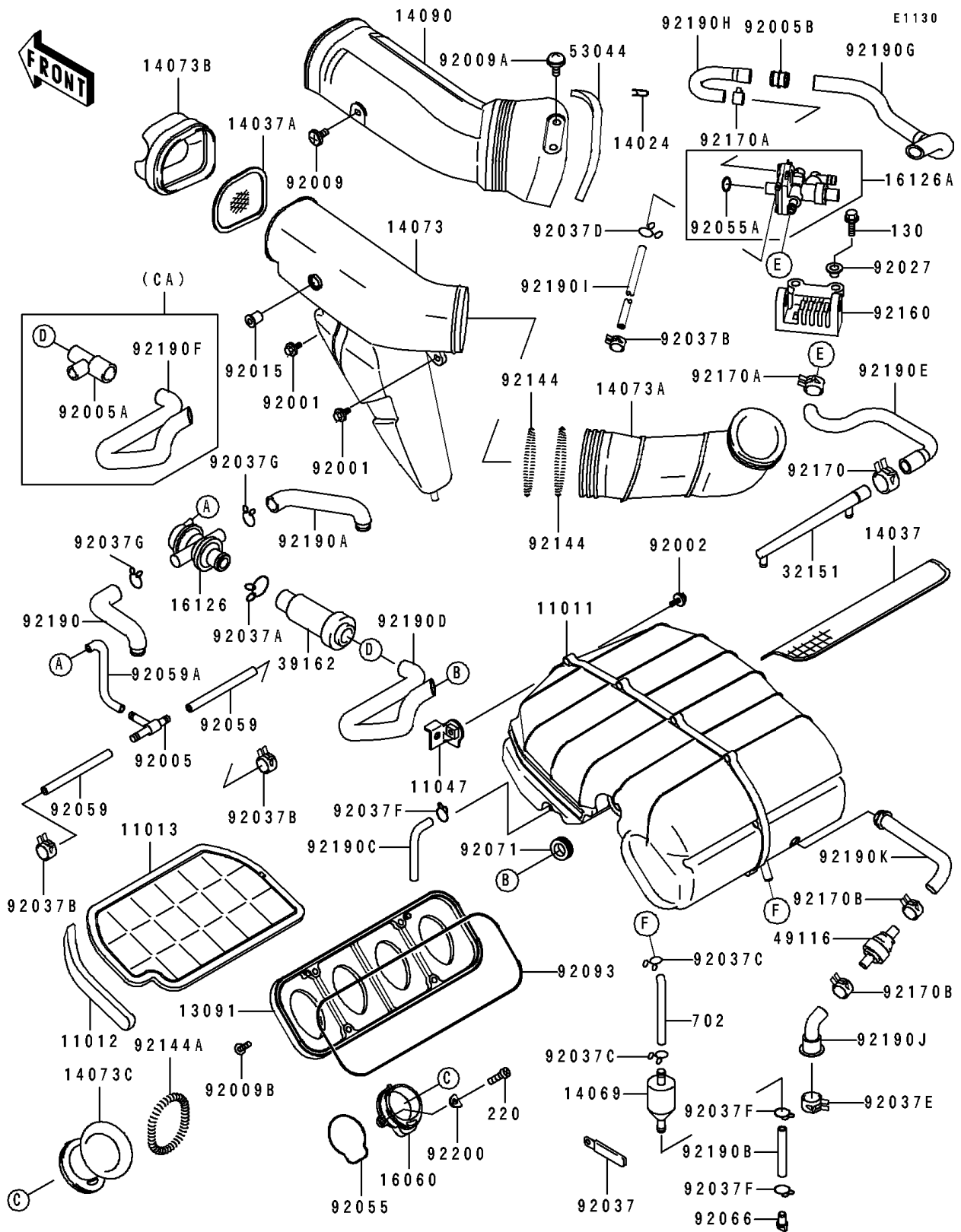


1993 Ninja® ZX™-7R PARTS DIAGRAM

Air Cleaner



1993 Ninja® ZX™-7R PARTS LIST

Air Cleaner

ITEM NAME	PART NUMBER	QUANTITY
CASE-AIR FILTER (Ref # 11011)	11011-1391	1
CAP,AIR FILTER ELEMENT (Ref # 11012)	11012-1828	1
ELEMENT-AIR FILTER (Ref # 11013)	11013-1224	1
BRACKET,AIR FILTER (Ref # 11047)	11047-1968	1
HOLDER,AIR FILTER (Ref # 13091)	13091-1813	1
COVER,TRIM END (Ref # 14024)	14024-1730	1
SCREEN,AIR FILTER (Ref # 14037)	14037-1161	1
SCREEN,AIR DUCT (Ref # 14037A)	14037-1162	1
BREATHER (Ref # 14069)	14069-1051	1
DUCT,AIR INTAKE,CNT (Ref # 14073)	14073-1540	1
DUCT,AIR INTAKE,RR (Ref # 14073A)	14073-1541	1
DUCT,AIR INTAKE,FR (Ref # 14073B)	14073-1543	1
DUCT (Ref # 14073C)	14073-1579	1
COVER,AIR DUCT (Ref # 14090)	14090-1250	1
PIPE-INTAKE (Ref # 16060)	16060-1069	1
VALVE,AIR SWITCH (Ref # 16126)	16126-1104	1
VALVE,CANISTER (Ref # 16126A)	16126-1272	1
PIPE (Ref # 32151)	32151-1317	1
SILENCER-INTAKE (Ref # 39162)	39162-1003	1
VALVE-ASSY (Ref # 49116)	49116-1116	1
TRIM,AIR DUCT COVER (Ref # 53044)	53044-1265	1
BOLT,6X16 (Ref # 92001)	92001-1950	1
BOLT,6X16 (Ref # 92002)	92002-1136	1
FITTING,TUBE,T-TYPE (Ref # 92005)	92005-1017	1
FITTING,SILENCER (Ref # 92005A)	92005-1207	1
FITTING (Ref # 92005B)	92005-1247	1
SCREW,6X18,BLACK (Ref # 92009)	92009-1181	1
SCREW,6X10 (Ref # 92009A)	92009-1402	1
SCREW,TAPPING,6X25 (Ref # 92009B)	92009-1640	1

1993 Ninja® ZX™-7R PARTS LIST

Air Cleaner

ITEM NAME	PART NUMBER	QUANTITY
NUT (Ref # 92015)	92015-1700	1
COLLAR (Ref # 92027)	92027-1767	1
CLAMP,WIRING HARNESS (Ref # 92037)	92037-1069	1
CLAMP,TUBE (Ref # 92037A)	92037-1076	1
CLAMP,TUBE (Ref # 92037B)	92037-1461	1
CLAMP,TUBE (Ref # 92037C)	92037-147	1
CLAMP (Ref # 92037D)	92037-1712	1
CLAMP (Ref # 92037E)	92037-1730	1
CLAMP,TUBE (Ref # 92037F)	92037-1972	1
CLAMP,TUBE (Ref # 92037G)	92037-213	1
RING-O (Ref # 92055)	92055-1492	1
RING-O (Ref # 92055A)	92055-1524	1
TUBE,FUEL,4X9X140 (Ref # 92059)	92059-1230	1
TUBE,4X9X705,WHITE (Ref # 92059A)	92059-1690	1
PLUG,DRAIN (Ref # 92066)	92066-1211	1
GROMMET,AIR FILTER (Ref # 92071)	92071-1028	1
SEAL,AIR FILTER (Ref # 92093)	92093-1320	1
SPRING,DUCT (Ref # 92144)	92144-1563	1
SPRING (Ref # 92144A)	92144-1564	1
DAMPER,VALVE (Ref # 92160)	92160-1241	1
CLAMP (Ref # 92170)	92170-1060	1
CLAMP,FUEL PUMP (Ref # 92170A)	92170-1185	1
CLAMP,BRAKE HOSE (Ref # 92170B)	92170-1434	1
TUBE,HEAD-AIR SWITCH,LH (Ref # 92190)	92190-1197	1
TUBE,HEAD-AIR SWITCH,RH (Ref # 92190A)	92190-1198	1
TUBE,7X12X160 (Ref # 92190B)	92190-1201	1
TUBE,BREATHER (Ref # 92190C)	92190-1243	1
TUBE,AIR VALVE,L=347 (Ref # 92190D)	92190-1329	1
TUBE,CARBURETOR,L=260 (Ref # 92190E)	92190-1336	1

1993 Ninja® ZX™-7R PARTS LIST

Air Cleaner

ITEM NAME	PART NUMBER	QUANTITY
TUBE,AIR VALVE,L=309 (Ref # 92190F)	92190-1337	1
TUBE,CARBURETOR,L=309 (Ref # 92190G)	92190-1373	1
TUBE,VALVE,L=134 (Ref # 92190H)	92190-1384	1
TUBE,L=550 (Ref # 92190I)	92190-1405	1
TUBE,BREATHER (Ref # 92190J)	92190-1482	1
TUBE (Ref # 92190K)	92190-1483	1
WASHER,DUCT (Ref # 92200)	92200-1058	1
BOLT-FLANGED (Ref # 130)	130J0620	1
SCREW-PAN-CROS,5X8 (Ref # 220)	220B0508	1
TUBE-RUBBER (Ref # 702)	702A07360	1