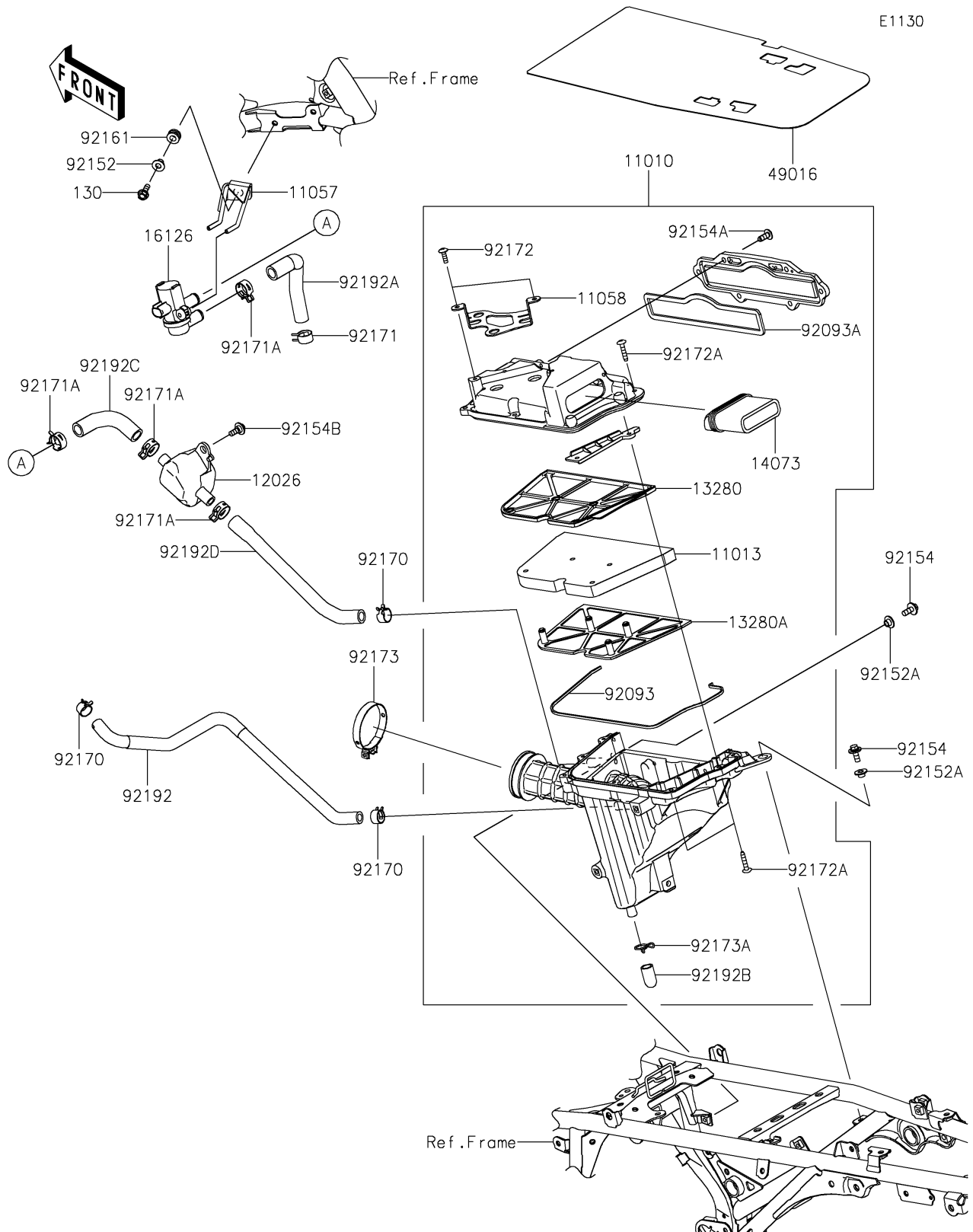


2026 KLX230R

PARTS DIAGRAM

Air Cleaner



2026 KLX230R

PARTS LIST

Air Cleaner

| ITEM NAME | PART NUMBER | QUANTITY |
|---------------------------------------|-------------|----------|
| FILTER-ASSY-AIR (Ref # 11010) | 11010-1845 | 1 |
| ELEMENT-AIR FILTER (Ref # 11013) | 11013-0790 | 1 |
| BRACKET,ASWV (Ref # 11057) | 11057-2432 | 1 |
| BRACKET,ECU (Ref # 11058) | 11058-1337 | 1 |
| CHAMBER (Ref # 12026) | 12026-0026 | 1 |
| HOLDER,UPP (Ref # 13280) | 13280-0945 | 1 |
| HOLDER,LWR (Ref # 13280A) | 13280-0946 | 1 |
| DUCT,IN (Ref # 14073) | 14073-1931 | 1 |
| VALVE,AIR SWITCH (Ref # 16126) | 16126-0750 | 1 |
| COVER-SEAL (Ref # 49016) | 49016-0726 | 1 |
| SEAL (Ref # 92093) | 92093-0727 | 1 |
| SEAL (Ref # 92093A) | 92093-0728 | 1 |
| COLLAR,6.3X8.3X9.2 (Ref # 92152) | 92152-1725 | 1 |
| COLLAR,6.3X8.3X6.2 (Ref # 92152A) | 92152-2586 | 2 |
| BOLT,FLANGED-SMALL,6X16 (Ref # 92154) | 92154-1183 | 2 |
| BOLT,6X16 (Ref # 92154A) | 92154-3970 | 6 |
| BOLT,FLANGED,6X12 (Ref # 92154B) | 92154-7289 | 1 |
| DAMPER (Ref # 92161) | 92161-0031 | 1 |
| CLAMP (Ref # 92170) | 92170-1434 | 3 |
| CLAMP (Ref # 92171) | 92171-0533 | 1 |
| CLAMP,18.8MM (Ref # 92171A) | 92171-2056 | 4 |
| SCREW,5X16 (Ref # 92172) | 92172-0908 | 2 |
| SCREW (Ref # 92172A) | 92172-1291 | 7 |
| CLAMP (Ref # 92173) | 92173-2191 | 1 |
| CLAMP,14MM (Ref # 92173A) | 92173-2474 | 1 |
| TUBE,BLOW-BY (Ref # 92192) | 92192-1929 | 1 |
| TUBE,ASWV-HEAD (Ref # 92192A) | 92192-1930 | 1 |
| TUBE (Ref # 92192B) | 92192-2582 | 1 |
| TUBE,CHAMBER-ASWV (Ref # 92192C) | 92192-2723 | 1 |

2026 KLX230R

PARTS LIST

Air Cleaner

| ITEM NAME | PART NUMBER | QUANTITY |
|---------------------------------|-------------|----------|
| TUBE,A/C-CHAMBER (Ref # 92192D) | 92192-2724 | 1 |
| BOLT-FLANGED,6X18 (Ref # 130) | 130BA0618 | 1 |