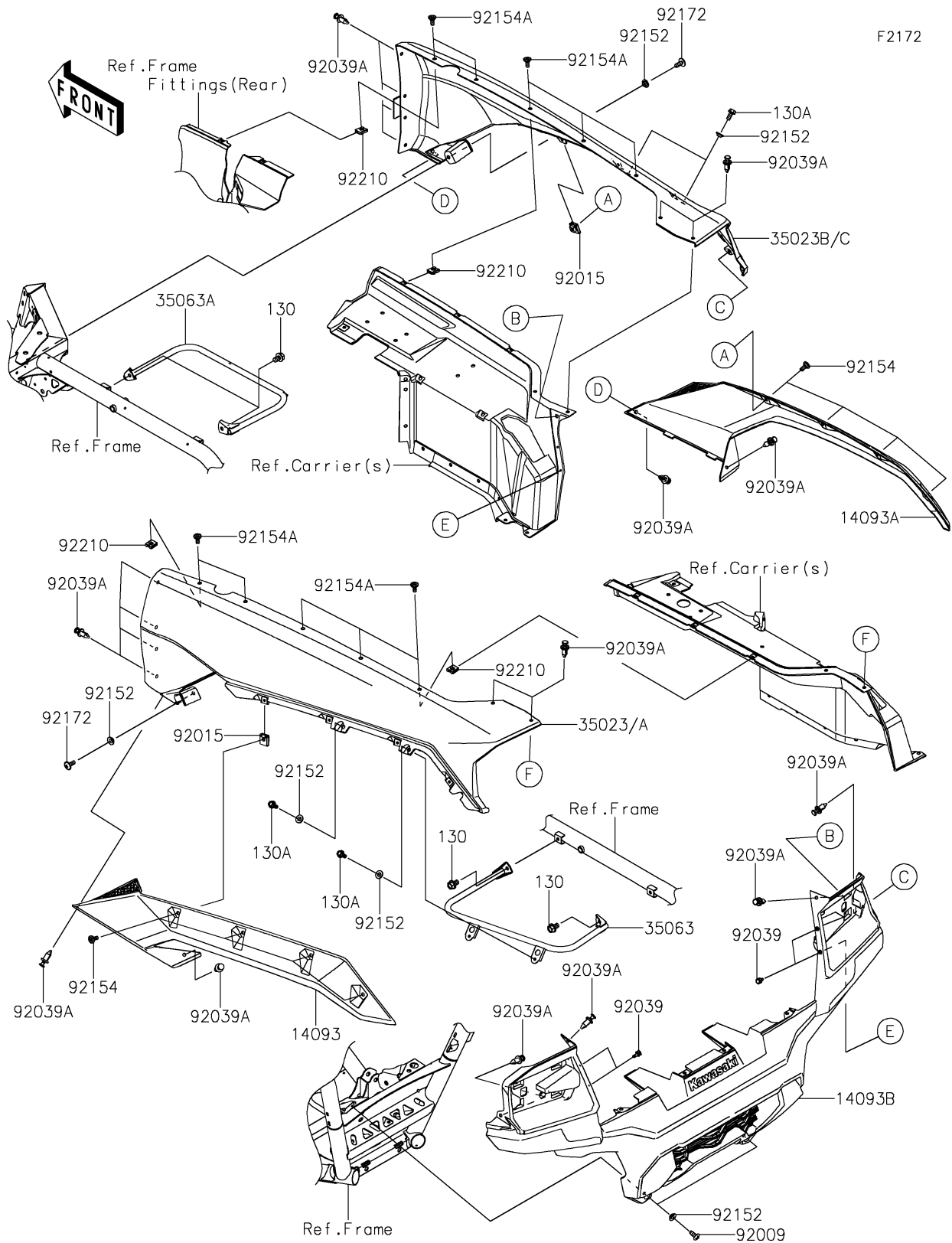


# 2024 TERYX KRX® 1000 SE PARTS DIAGRAM

## Rear Fender(s)



## 2024 TERYX KRX® 1000 SE PARTS LIST

### Rear Fender(s)

ITEM NAME	PART NUMBER	QUANTITY
COVER,FLAP,LH (Ref # 14093)	14093-0796	1
COVER,FLAP,RH (Ref # 14093A)	14093-0797	1
COVER,TAIL (Ref # 14093B)	14093-0798	1
FENDER-REAR,LH,GRAYSTONE (Ref # 35023)	35023-0463-56Z	1
FENDER-REAR,LH,M.C.GRAY (Ref # 35023A)	35023-0463-57B	1
FENDER-REAR,RH,GRAYSTONE (Ref # 35023B)	35023-0464-56Z	1
FENDER-REAR,RH,M.C.GRAY (Ref # 35023C)	35023-0464-57B	1
STAY,LH (Ref # 35063)	35063-1462	1
STAY,RH (Ref # 35063A)	35063-1463	1
SCREW,TAPPING,6X16 (Ref # 92009)	92009-1166	2
NUT,CLAMP,6MM (Ref # 92015)	92015-1678	8
RIVET (Ref # 92039)	92039-0046	4
RIVET (Ref # 92039A)	92039-0776	20
COLLAR,6.3X9.5X4.1 (Ref # 92152)	92152-1571	8
BOLT (Ref # 92154)	92154-2474	8
BOLT (Ref # 92154A)	92154-3957	10
SCREW,6X16 (Ref # 92172)	92172-0236	2
NUT (Ref # 92210)	92210-1125	10
BOLT-FLANGED,8X12 (Ref # 130)	130BA0812	4
BOLT-FLANGED,6X14 (Ref # 130A)	130CA0614	4