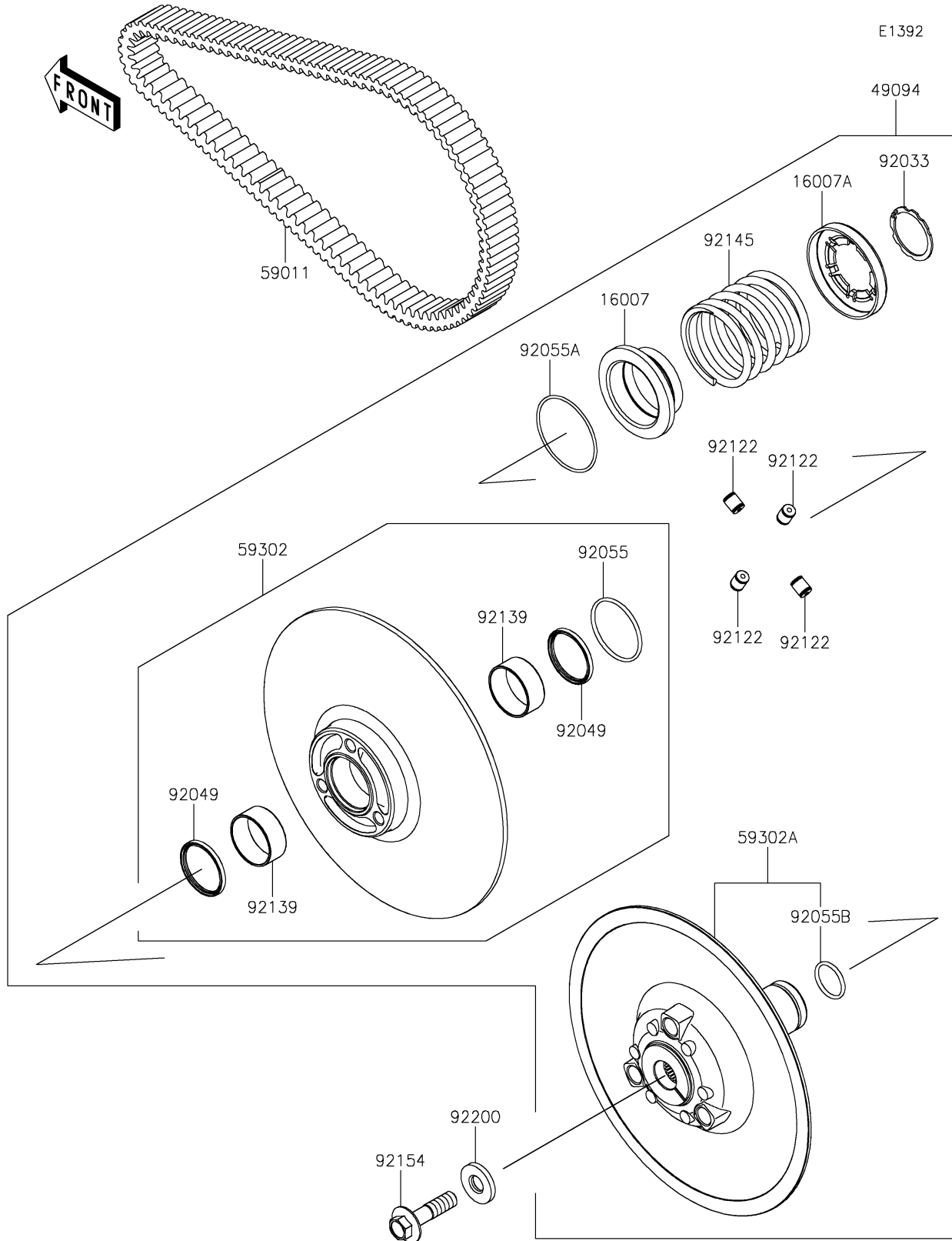


2024 TERYX KRX® 1000 SE PARTS DIAGRAM

Driven Converter/Drive Belt



2024 TERYX KRX® 1000 SE PARTS LIST

Driven Converter/Drive Belt

| ITEM NAME | PART NUMBER | QUANTITY |
|-------------------------------------|-------------|----------|
| SEAT-SPRING,MOVABLE (Ref # 16007) | 16007-0754 | 1 |
| SEAT-SPRING,FIXED (Ref # 16007A) | 16007-0755 | 1 |
| CONVERTER-ASSY-DRIVEN (Ref # 49094) | 49094-0107 | 1 |
| BELT,CVT (Ref # 59011) | 59011-0047 | 1 |
| SHEAVE-COMP,MOVABLE (Ref # 59302) | 59302-0104 | 1 |
| SHEAVE-COMP,FIXED (Ref # 59302A) | 59302-0109 | 1 |
| RING-SNAP,41.5MM (Ref # 92033) | 92033-0801 | 1 |
| SEAL-OIL,GD45X52X4 V1 (Ref # 92049) | 92049-0821 | 2 |
| RING-O,54.4X3.1 (Ref # 92055) | 92055-0924 | 1 |
| RING-O,68.2X2.4 (Ref # 92055A) | 92055-0925 | 1 |
| RING-O,29X3.1 (Ref # 92055B) | 92055-0926 | 1 |
| ROLLER (Ref # 92122) | 92122-0560 | 4 |
| BUSHING (Ref # 92139) | 92139-0936 | 2 |
| SPRING (Ref # 92145) | 92145-1856 | 1 |
| BOLT,14X55 (Ref # 92154) | 92154-3920 | 1 |
| WASHER (Ref # 92200) | 92200-2389 | 1 |