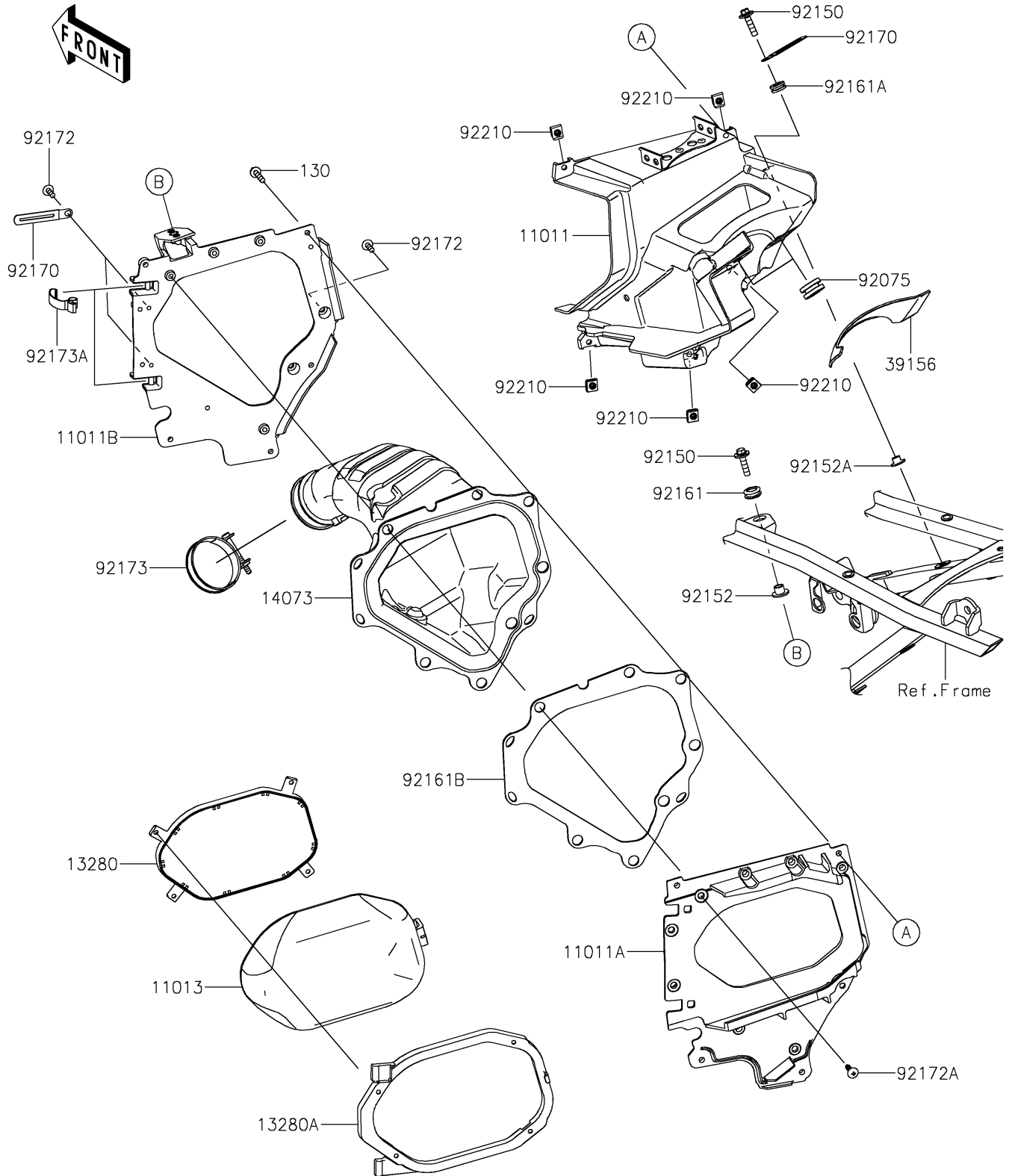


2026 KX™ 450 PARTS DIAGRAM

Air Cleaner

E1130



2026 KX™ 450 PARTS LIST

Air Cleaner

ITEM NAME	PART NUMBER	QUANTITY
CASE-AIR FILTER,L.GREEN (Ref # 11011)	11011-0997-290	1
CASE-AIR FILTER,RR,EBONY (Ref # 11011A)	11011-0998-6C	1
CASE-AIR FILTER,FR,EBONY (Ref # 11011B)	11011-0999-6C	1
ELEMENT-AIR FILTER (Ref # 11013)	11013-0843	1
HOLDER,ELEMENT (Ref # 13280)	13280-1377	1
HOLDER,ELEMENT (Ref # 13280A)	13280-1378	1
DUCT (Ref # 14073)	14073-1923	1
PAD (Ref # 39156)	39156-2906	1
DAMPER,10X24X12 (Ref # 92075)	92075-1690	2
BOLT,6X25 (Ref # 92150)	92150-1829	2
COLLAR (Ref # 92152)	92152-1449	1
COLLAR,6.3X8.3X16 (Ref # 92152A)	92152-1602	1
DAMPER (Ref # 92161)	92161-0266	1
DAMPER,8.3X16X6.4 (Ref # 92161A)	92161-1848	1
DAMPER (Ref # 92161B)	92161-2508	1
CLAMP (Ref # 92170)	92170-1514	3
SCREW,TAPPING,5X16 (Ref # 92172)	92172-0175	4
SCREW,TAPPING,5X20 (Ref # 92172A)	92172-0382	8
CLAMP,59.5MM (Ref # 92173)	92173-2634	1
CLAMP (Ref # 92173A)	92173-2655	2
NUT (Ref # 92210)	92210-0571	5
BOLT-FLANGED,5X25 (Ref # 130)	130BA0525	5