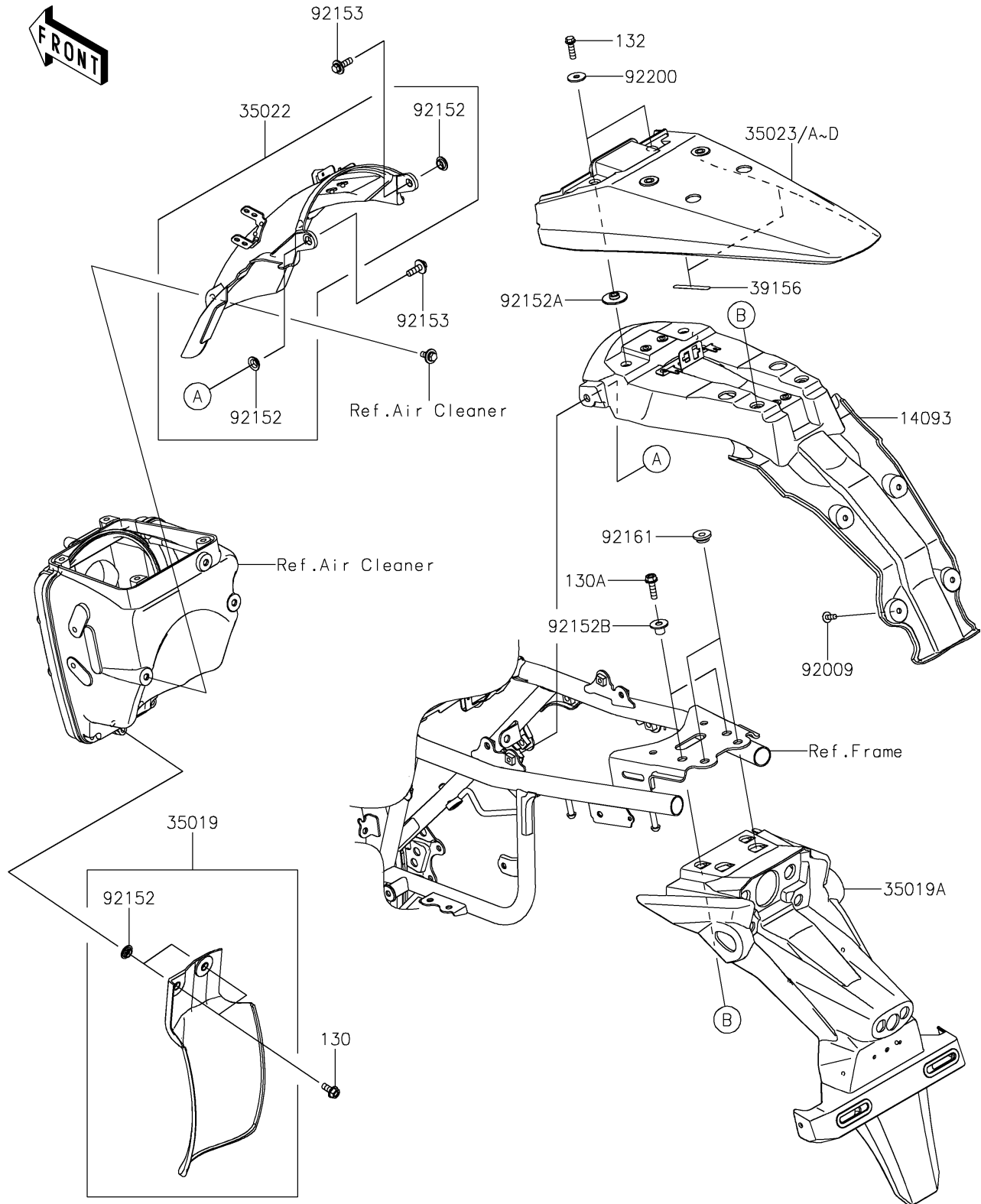


2026 KLX300 PARTS DIAGRAM

Rear Fender(s)

F2172



2026 KLX300 PARTS LIST

Rear Fender(s)

ITEM NAME	PART NUMBER	QUANTITY
COVER,RR FLAP,INNER (Ref # 14093)	14093-1499	1
FLAP,RR FENDER,FR (Ref # 35019)	35019-0004	1
FLAP,RR FENDER,RR (Ref # 35019A)	35019-0699	1
FENDER-COMP-REAR,FR (Ref # 35022)	35022-0114	1
FENDER-REAR,B.WHITE (Ref # 35023)	35023-0512-266	1
FENDER-REAR,L.GREEN (Ref # 35023A)	35023-0512-290	1
FENDER-REAR,B.GRAY (Ref # 35023B)	35023-0512-67A	1
PAD,6X50 (Ref # 39156)	39156-2421	2
SCREW,TAPPING,5X14 (Ref # 92009)	92009-1197	4
COLLAR,8.8X11.2X4 (Ref # 92152)	92152-0909	4
COLLAR (Ref # 92152A)	92152-3817	2
COLLAR (Ref # 92152B)	92152-3820	2
BOLT,6X20 (Ref # 92153)	92153-0502	2
DAMPER (Ref # 92161)	92161-1810	2
WASHER,6.5X20X1.6 (Ref # 92200)	92200-1962	2
BOLT-FLANGED,6X14 (Ref # 130)	130BA0614	2
BOLT-FLANGED,6X22 (Ref # 130A)	130BA0622	2
BOLT-FLANGED-SMALL,6X20 (Ref # 132)	132BA0620	2