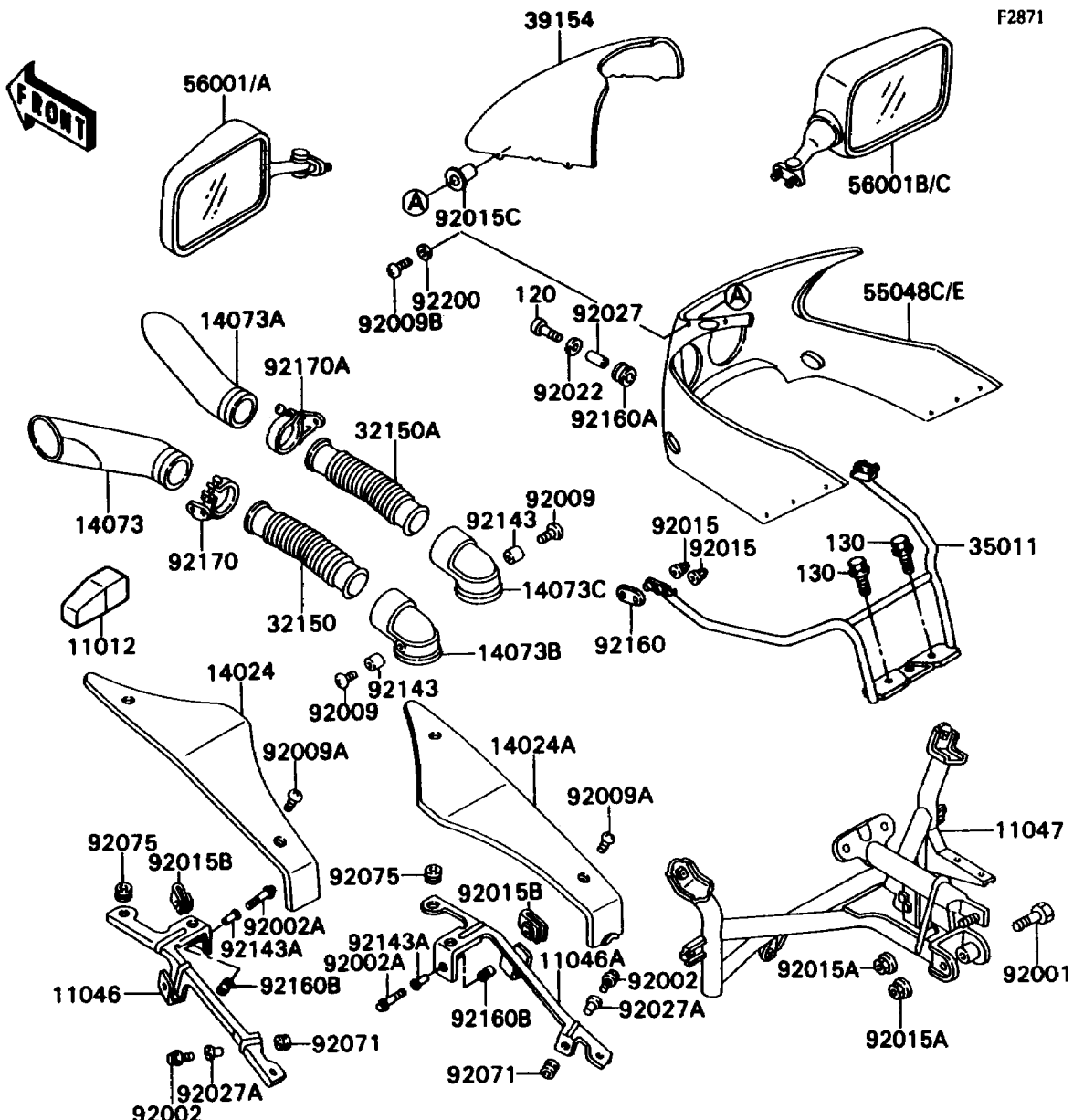
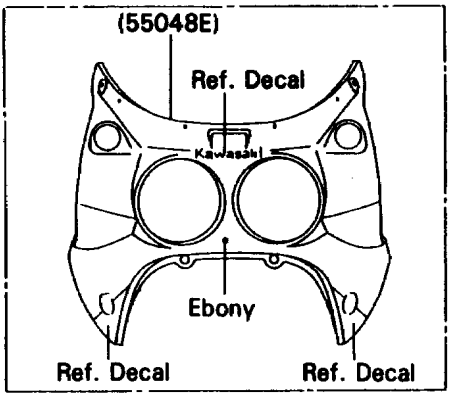
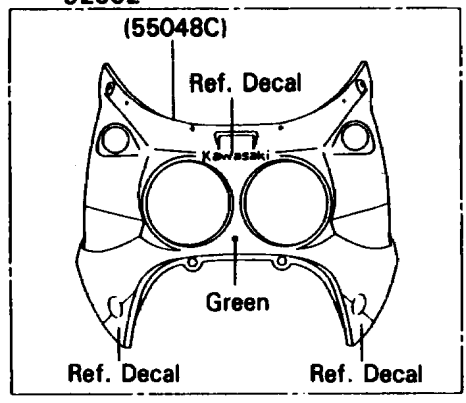


# 1990 Ninja® ZX™-7 PARTS DIAGRAM

Cowling



F2871



# 1990 Ninja® ZX™-7 PARTS LIST

## Cowling

ITEM NAME	PART NUMBER	QUANTITY
CAP,CLAMP (Ref # 11012)	11012-1718	2
BRACKET,INNER COWLING,LH (Ref # 11046)	11046-1745	1
BRACKET,INNER COWLING,RH (Ref # 11046A)	11046-1746	1
BRACKET,UPPER COWLING (Ref # 11047)	11047-1116	1
COVER,INNER COWLING,LH (Ref # 14024)	14024-1823	1
COVER,INNER COWLING,RH (Ref # 14024A)	14024-1824	1
DUCT,AIR INTAKE,FR,LH (Ref # 14073)	14073-1395	1
DUCT,AIR INTAKE,FR,RH (Ref # 14073A)	14073-1396	1
DUCT,AIR INTAKE,RR,LH (Ref # 14073B)	14073-1397	1
DUCT,AIR INTAKE,RR,RH (Ref # 14073C)	14073-1398	1
PIPE,AIR INTAKE,LH (Ref # 32150)	32150-1387	1
PIPE,AIR INTAKE,RH (Ref # 32150A)	32150-1388	1
STAY,MIRROR (Ref # 35011)	35011-1476	1
WINDSHIELD (Ref # 39154)	39154-1103	1
COWLING.,UPP,L.GREEN (Ref # 55048C)	55048-5353-7F	1
COWLING.,UPP,EBONY (Ref # 55048E)	55048-5392-H8	1
MIRROR-ASSY,LH,EBONY (Ref # 56001)	56001-1379-6C	1
MIRROR-ASSY,LH,L.GREEN (Ref # 56001A)	56001-1379-6W	1
MIRROR-ASSY,RH,EBONY (Ref # 56001B)	56001-1380-6C	1
MIRROR-ASSY,RH,L.GREEN (Ref # 56001C)	56001-1380-6W	1
BOLT,FLANGED,8X50 (Ref # 92001)	92001-1614	1
BOLT,FLANGED,8X22 (Ref # 92002)	92002-1676	2
BOLT,FLANGED,8X40 (Ref # 92002A)	92002-1838	2
SCREW,5X12,BLACK (Ref # 92009)	92009-1182	2
SCREW,5X14,BLACK (Ref # 92009A)	92009-1383	2
SCREW,5X15 (Ref # 92009B)	92009-1572	6
NUT,CAP,6MM,BLACK (Ref # 92015)	92015-1170	4
NUT,FLANGED,8MM,BLACK (Ref # 92015A)	92015-1183	2
NUT,COVER,SIDE (Ref # 92015B)	92015-1261	2

# 1990 Ninja® ZX™-7 PARTS LIST

## Cowling

ITEM NAME	PART NUMBER	QUANTITY
NUT,WELL,5MM (Ref # 92015C)	92015-1757	6
WASHER,7X16X1.2 (Ref # 92022)	92022-1344	2
COLLAR,6.8X10X11.5 (Ref # 92027)	92027-1210	2
COLLAR,L=12 (Ref # 92027A)	92027-1842	2
GROMMET (Ref # 92071)	92071-1010	2
DAMPER,FILTER COVER (Ref # 92075)	92075-1126	2
COLLAR,5.6X8X7 (Ref # 92143)	92143-1336	2
COLLAR (Ref # 92143A)	92143-1412	2
DAMPER,MIRROR (Ref # 92160)	92160-1089	2
DAMPER (Ref # 92160A)	92160-1123	2
DAMPER (Ref # 92160B)	92160-1208	2
CLAMP,AIR INTAKE DUCT,LH (Ref # 92170)	92170-1102	1
CLAMP,AIR INTAKE DUCT,RH (Ref # 92170A)	92170-1103	1
WASHER,NYLON,5.2X12X1 (Ref # 92200)	92200-1011	6
BOLT-SOCKET,6X20 (Ref # 120)	120S0620	2
BOLT-FLANGED (Ref # 130)	130J0620	2