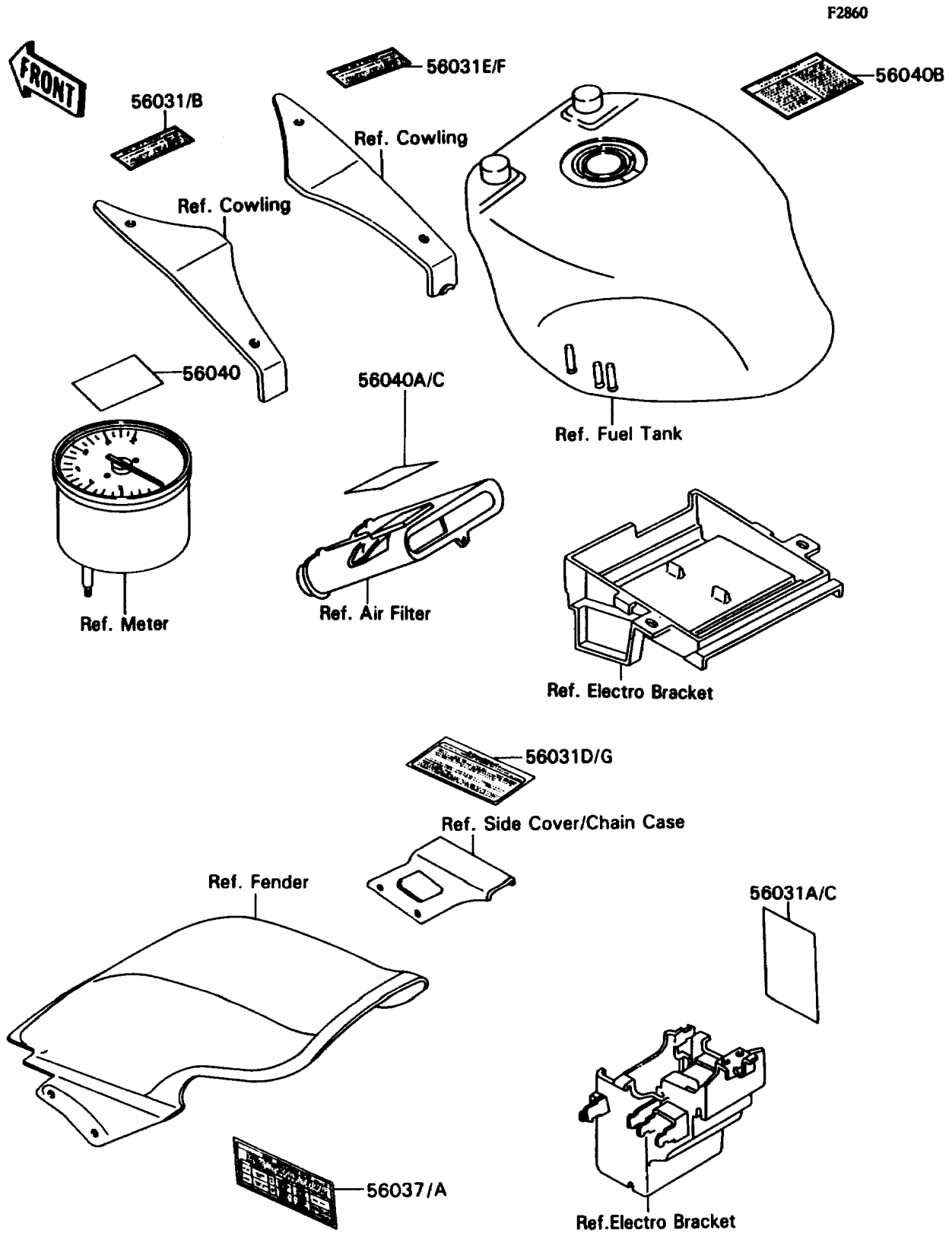


1990 Ninja® ZX™ -7 PARTS DIAGRAM

Labels



1990 Ninja® ZX™-7 PARTS LIST

Labels

ITEM NAME	PART NUMBER	QUANTITY
LABEL-MANUAL,DAILY SAFETY (Ref # 56031)	56031-1653	1
LABEL-MANUAL,BATTERY VENT (Ref # 56031A)	56031-1654	1
LABEL-MANUAL,DAILY SAFETY (Ref # 56031B)	56031-1655	1
LABEL-MANUAL,BATTERY VENT (Ref # 56031C)	56031-1656	1
LABEL-MANUAL,CHAIN (Ref # 56031D)	56031-1680	1
LABEL-MANUAL,OIL&OIL FILTER (Ref # 56031E)	56031-1681	1
LABEL-MANUAL,OIL&OIL FILTER (Ref # 56031F)	56031-1698	1
LABEL-MANUAL,CHAIN (Ref # 56031G)	56031-1699	1
LABEL-SPECIFICATION,TIRE&LOAD (Ref # 56037)	56037-1497	1
LABEL-SPECIFICATION,TIRE&LOAD (Ref # 56037A)	56037-1499	1
LABEL-WARNING,BREAK IN CAUTION (Ref # 56040)	56040-1007	1
LABEL-WARNING,AIR INTAKE (Ref # 56040A)	56040-1014	1
LABEL-WARNING,EVAPO (Ref # 56040B)	56040-1121	1
LABEL-WARNING,AIR INTAKE (Ref # 56040C)	56040-1255	1