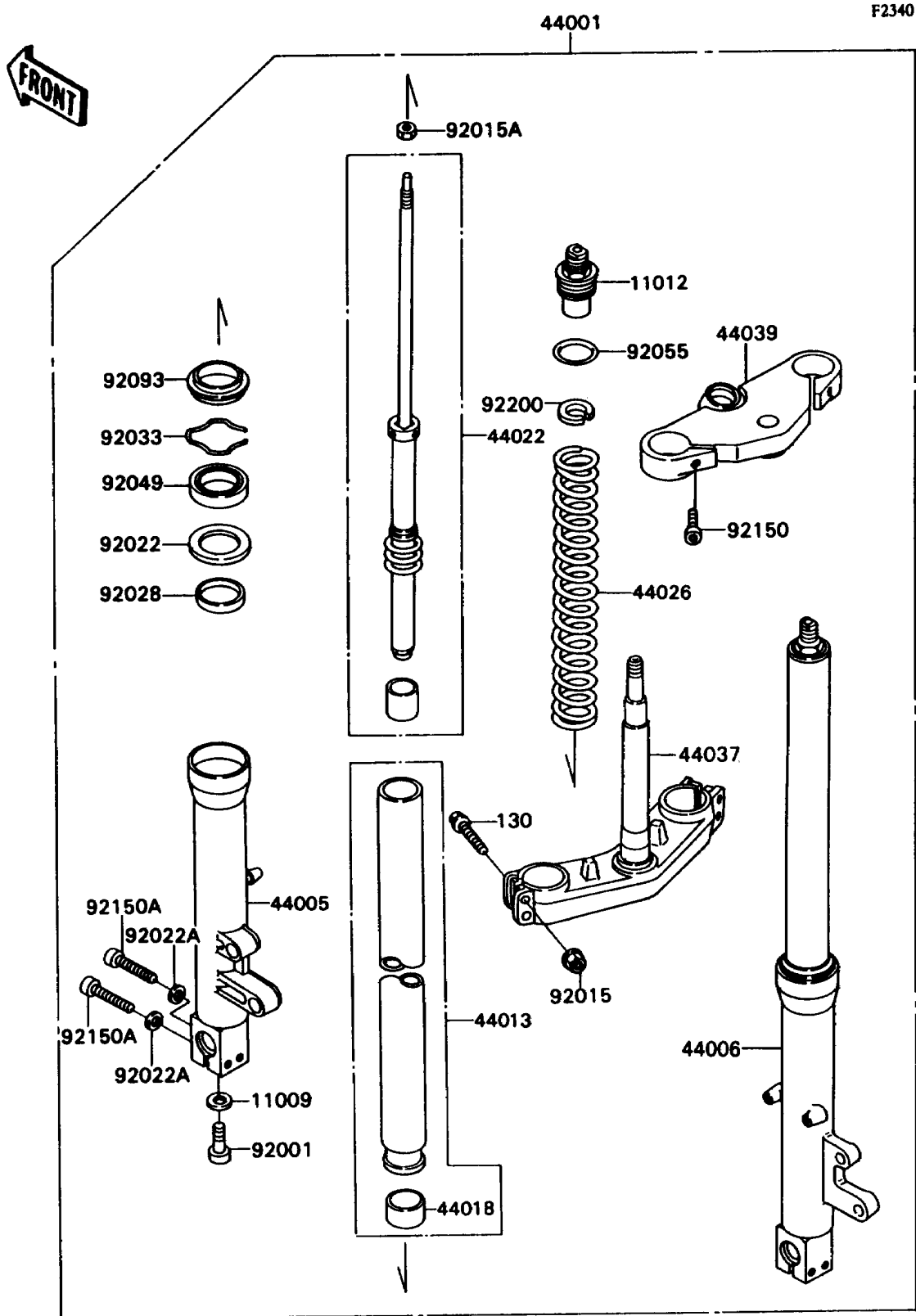


# 1990 Ninja® ZX™ -7 PARTS DIAGRAM

Front Fork



# 1990 Ninja® ZX™-7 PARTS LIST

## Front Fork

ITEM NAME	PART NUMBER	QUANTITY
GASKET,FORK CYLINDER BOLT (Ref # 11009)	11009-1127	2
CAP (Ref # 11012)	11012-1716	2
FORK-FRONT (Ref # 44001)	44001-1762	1
PIPE-LEFT FORK OUTER (Ref # 44005)	44005-1294	1
PIPE-RIGHT FORK OUTER (Ref # 44006)	44006-1291	1
PIPE-FORK INNER (Ref # 44013)	44013-1297	2
PISTON-FORK,INNER PIPE (Ref # 44018)	44018-1053	2
CYLINDER-FORK (Ref # 44022)	44022-1254	2
SPRING-FRONT FORK (Ref # 44026)	44026-1435	2
HOLDER-FORK UNDER (Ref # 44037)	44037-1250	1
HOLDER-FORK UPPER (Ref # 44039)	44039-1187	1
BOLT,FORK CYLINDER (Ref # 92001)	92001-1309	2
NUT,FLANGED,8MM (Ref # 92015)	92015-1485	4
NUT (Ref # 92015A)	92015-1795	2
WASHER (Ref # 92022)	92022-1299	2
WASHER (Ref # 92022A)	92022-1598	4
BUSHING (Ref # 92028)	92028-1553	2
RING-SNAP (Ref # 92033)	92033-1077	2
SEAL-OIL (Ref # 92049)	92049-1342	2
RING-O (Ref # 92055)	92055-1123	2
SEAL (Ref # 92093)	92093-1285	2
BOLT,SOCKET,8X25 (Ref # 92150)	92150-1172	2
BOLT,SOCKET,8X40 (Ref # 92150A)	92150-1194	4
WASHER (Ref # 92200)	92200-1023	2
BOLT-FLANGED,8X50 (Ref # 130)	130G0850	4