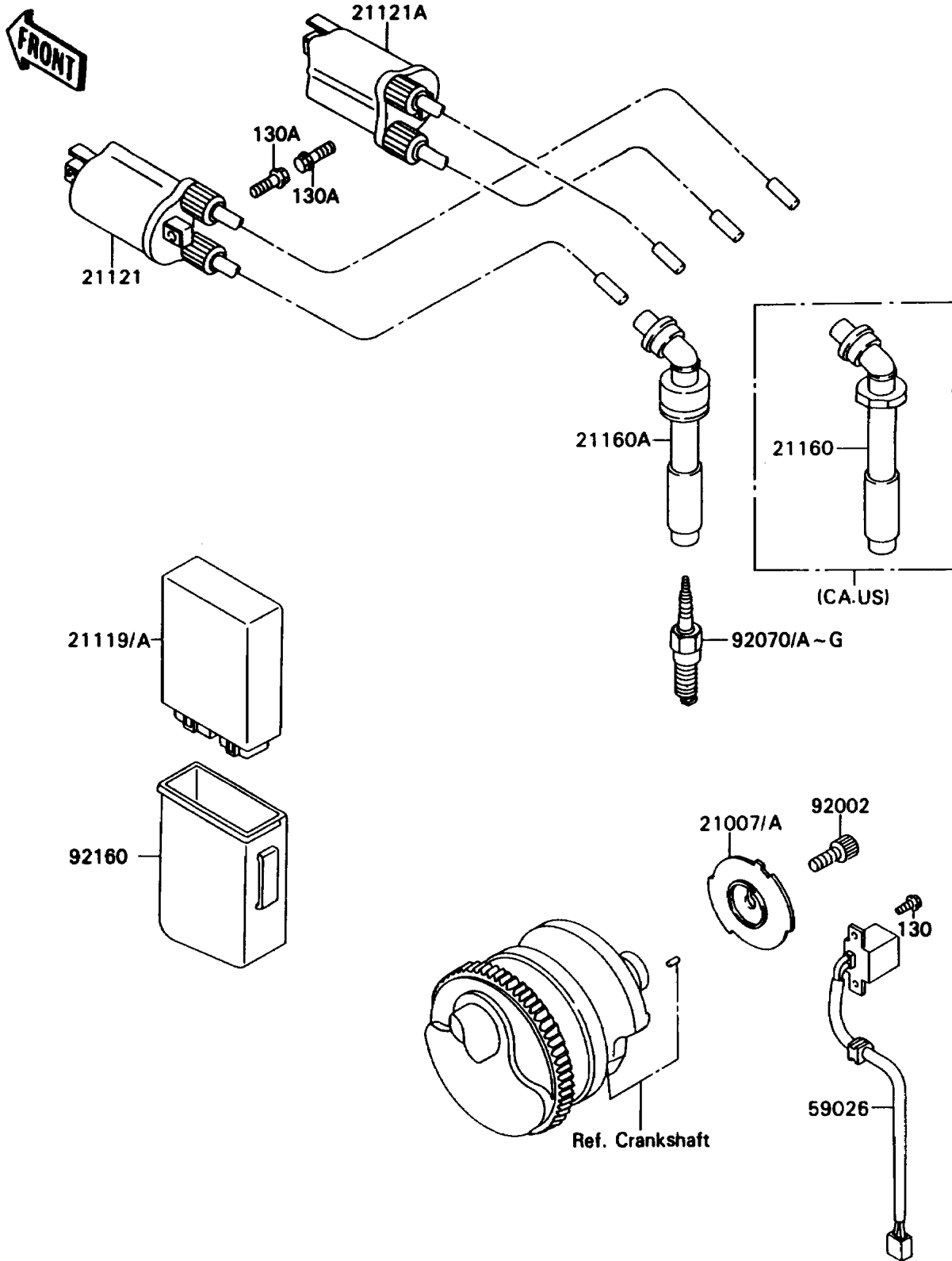


1990 Ninja® ZX™-7 PARTS DIAGRAM

Ignition System

E1830



1990 Ninja® ZX™-7 PARTS LIST

Ignition System

ITEM NAME	PART NUMBER	QUANTITY
ROTOR,PULSING COIL (Ref # 21007)	21007-1190	1
ROTOR (Ref # 21007A)	21007-1195	1
IGNITER (Ref # 21119)	21119-1262	1
IGNITER (Ref # 21119A)	21119-1281	1
COIL-IGNITION,#1 (Ref # 21121)	21121-1172	1
COIL-IGNITION,#2 (Ref # 21121A)	21121-1173	1
CAP-ASSY-PLUG (Ref # 21160)	21160-1068	4
CAP-ASSY-PLUG (Ref # 21160A)	21160-1078	4
COIL-PULSING (Ref # 59026)	59026-1096	1
BOLT,SOCKET,8X20 (Ref # 92002)	92002-1178	1
PLUG-SPARK,C9E(NGK) (Ref # 92070)	92070-1142	4
PLUG-SPARK,CR9E(NGK) (Ref # 92070A)	92070-1143	4
PLUG-SPARK,U27ES-N(ND) (Ref # 92070B)		4
PLUG-SPARK,U27ESR-N(ND) (Ref # 92070C)		4
PLUG-SPARK,C8E(NGK) (Ref # 92070D)	92070-1168	4
PLUG-SPARK,CR8E(NGK) (Ref # 92070E)	92070-1169	4
PLUG-SPARK,U24ES-N(ND) (Ref # 92070F)		4
PLUG-SPARK,U24ESR-N(ND) (Ref # 92070G)		4
DAMPER (Ref # 92160)	92160-1137	1
BOLT-FLANGED (Ref # 130)	130G0512	2
BOLT-FLANGED,6X20 (Ref # 130A)	130G0620	4