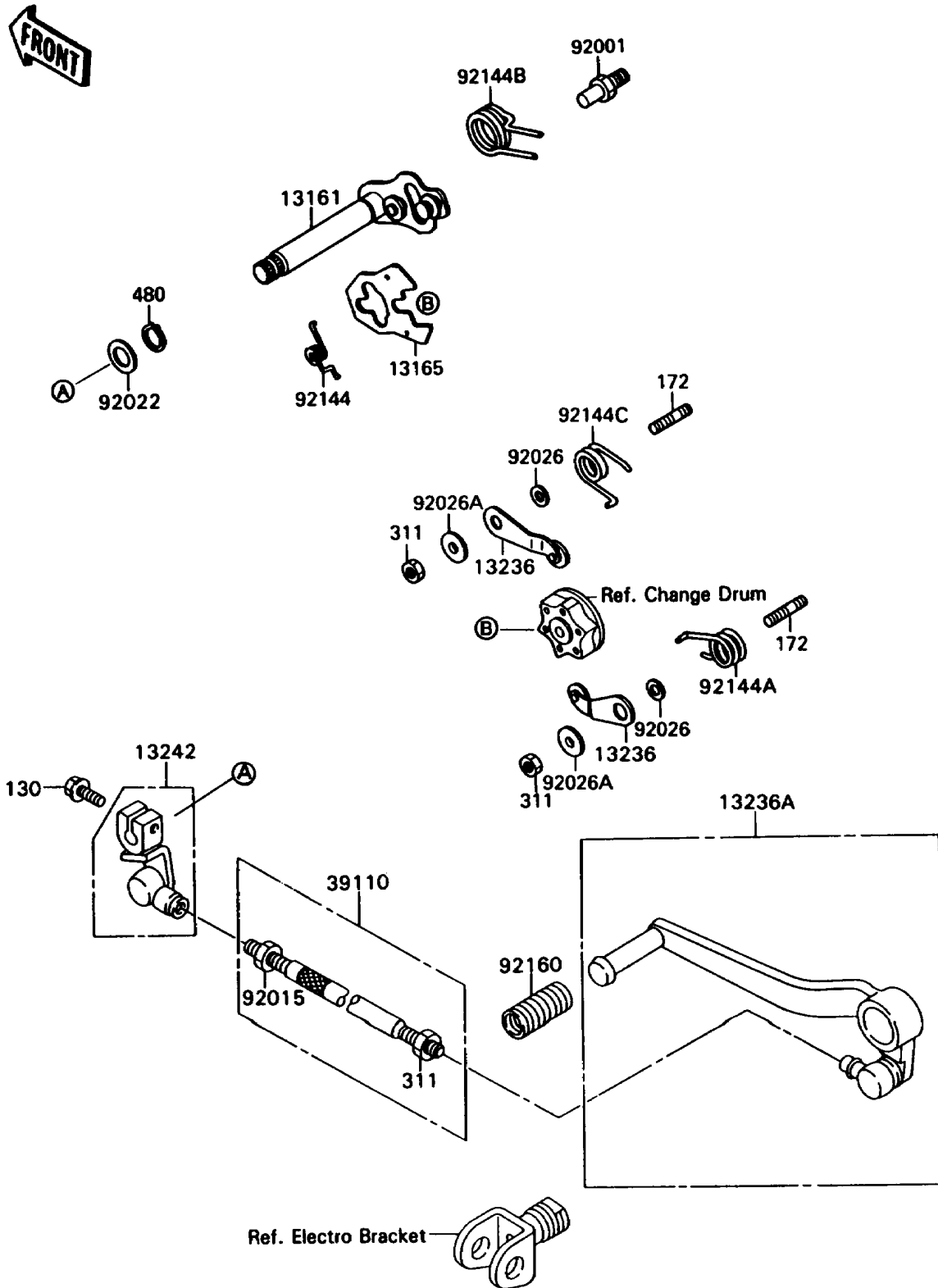


1990 Ninja® ZX™-7 PARTS DIAGRAM

Gear Change Mechanism

E1370



1990 Ninja® ZX™-7 PARTS LIST

Gear Change Mechanism

ITEM NAME	PART NUMBER	QUANTITY
LEVER-COMP-CHANGE SHAFT (Ref # 13161)	13161-1168	1
PAWL (Ref # 13165)	13165-1120	1
LEVER-COMP,POSITION (Ref # 13236)	13236-1149	2
LEVER-COMP,CHANGE PEDAL (Ref # 13236A)	13236-1204	1
LEVER-ASSY-CHANGE,LINK (Ref # 13242)	13242-1278	1
ROD-ASSY-TIE (Ref # 39110)	39110-1089	1
BOLT,RETURN SPRING (Ref # 92001)	92001-1455	1
NUT (Ref # 92015)	92015-1125	1
WASHER,13.3X20X1 (Ref # 92022)	92022-1496	1
SPACER,6.3X12X1.0 (Ref # 92026)	92026-094	2
SPACER (Ref # 92026A)	92026-1217	2
SPRING (Ref # 92144)	92144-1029	1
SPRING,NEUTRAL POSITION (Ref # 92144A)	92144-1030	1
SPRING,CHANGE PEDAL RETURN (Ref # 92144B)	92144-1074	1
SPRING,GEAR POSITION (Ref # 92144C)	92144-1429	1
DAMPER,CHANGE PEDAL (Ref # 92160)	92160-1036	1
BOLT-FLANGED,6X20,BLACK (Ref # 130)	130S0620	1
BOLT-STUD,6X12 (Ref # 172)	172G0612	2
NUT-HEX,6MM (Ref # 311)	311G0600	3
CIRCLIP-TYPE-C,13MM (Ref # 480)	480J1300	1