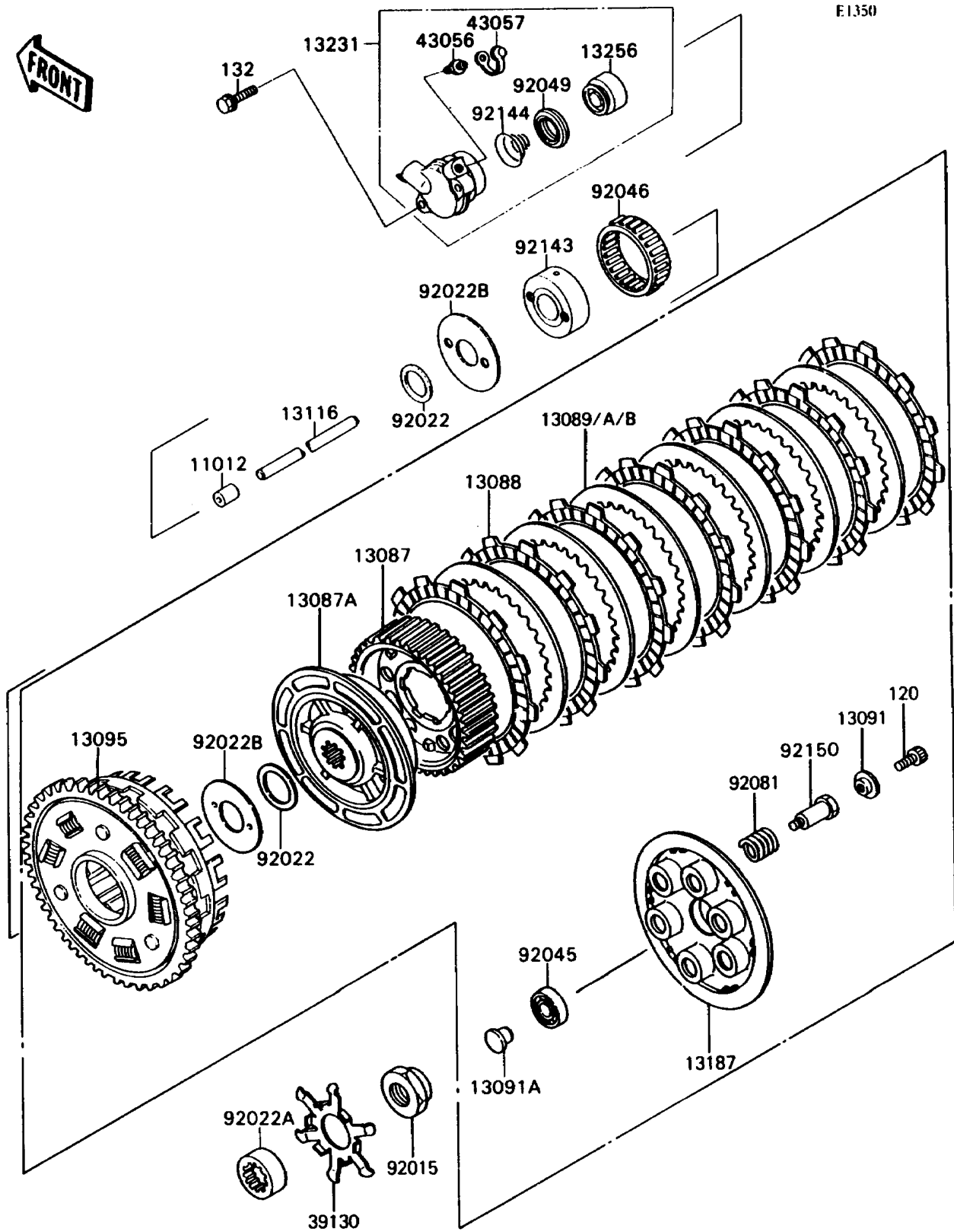


1990 Ninja® ZX™-7 PARTS DIAGRAM

Clutch



1990 Ninja® ZX™-7 PARTS LIST

Clutch

| ITEM NAME | PART NUMBER | QUANTITY |
|--------------------------------------------|-------------|----------|
| CAP,PUSHROD (Ref # 11012) | 11012-1569 | 1 |
| HUB-CLUTCH (Ref # 13087) | 13087-1080 | 1 |
| HUB-CLUTCH (Ref # 13087A) | 13087-1117 | 1 |
| PLATE-FRICTION (Ref # 13088) | 13088-040 | 7 |
| PLATE-CLUTCH,T=2.0 (Ref # 13089) | 13089-026 | AR |
| PLATE-CLUTCH,T=2.3 (Ref # 13089A) | 13089-1004 | AR |
| PLATE-CLUTCH,T=2.6 (Ref # 13089B) | 13089-1067 | AR |
| HOLDER,CLUTCH SPRING (Ref # 13091) | 13091-1041 | 6 |
| HOLDER,CLUTCH PUSH ROD (Ref # 13091A) | 13091-1085 | 1 |
| HOUSING-COMP-CLUTCH (Ref # 13095) | 13095-1200 | 1 |
| ROD-PUSH (Ref # 13116) | 13116-1137 | 1 |
| PLATE-CLUTCH OPERATING (Ref # 13187) | 13187-1067 | 1 |
| RELEASE-ASSY-CLUTCH (Ref # 13231) | 13231-1065 | 1 |
| PISTON (Ref # 13256) | 13256-1052 | 1 |
| SPRING-LEAF (Ref # 39130) | 39130-1063 | 1 |
| BREATHER-BRAKE (Ref # 43056) | 43056-1052 | 1 |
| CAP-BREATHER (Ref # 43057) | 43057-1001 | 1 |
| NUT (Ref # 92015) | 92015-1538 | 1 |
| WASHER (Ref # 92022) | 92022-1719 | 2 |
| WASHER,TOOTHED,21.7X36X15.5 (Ref # 92022A) | 92022-1782 | 1 |
| WASHER,CLUTCH THRUST (Ref # 92022B) | 92022-1846 | 2 |
| BEARING-BALL,6001C3ML01 (Ref # 92045) | 92045-1235 | 1 |
| BEARING-NEEDLE,K55X63X20 (Ref # 92046) | 92046-1159 | 1 |
| SEAL-OIL,PISTON (Ref # 92049) | 92049-1165 | 1 |
| SPRING,CLUTCH (Ref # 92081) | 92081-1114 | 6 |
| COLLAR,INPUTSHAFT (Ref # 92143) | 92143-1017 | 1 |
| SPRING,CLUTCH RELEASE (Ref # 92144) | 92144-1084 | 1 |
| BOLT,CLUTCH (Ref # 92150) | 92150-1310 | 6 |
| BOLT-SOCKET,6X16 (Ref # 120) | 120Q0616 | 6 |

1990 Ninja® ZX™-7 PARTS LIST

Clutch

| ITEM NAME | PART NUMBER | QUANTITY |
|--------------------------------|-------------|----------|
| BOLT-FLANGED-SMALL (Ref # 132) | 132J0625 | 2 |