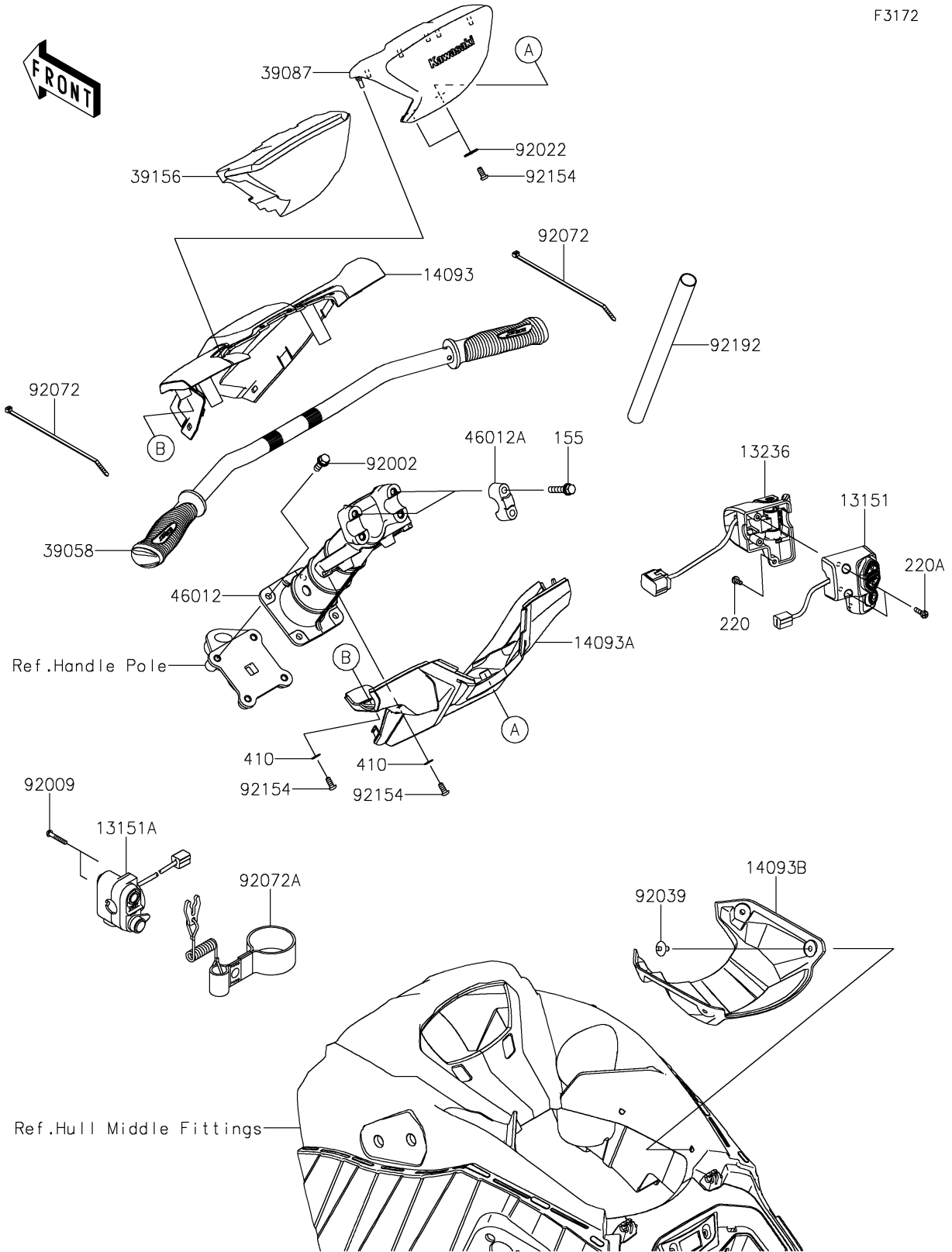


2025 STX 160X PARTS DIAGRAM

Handlebar

F3172



2025 STX 160X PARTS LIST

Handlebar

ITEM NAME	PART NUMBER	QUANTITY
SWITCH-COMP (Ref # 13151)	13151-0587	1
SWITCH-COMP,STOP&START (Ref # 13151A)	13151-3722	1
LEVER-COMP,THROTTLE (Ref # 13236)	13236-0820	1
COVER,HOLDER,FR (Ref # 14093)	14093-0900	1
COVER,HOLDER,RR (Ref # 14093A)	14093-0901	1
COVER,HANDLE POLE (Ref # 14093B)	14093-1270	1
HANDLE-COMP,F.BLACK (Ref # 39058)	39058-0043-6Z	1
PAD-HANDLE,GRAY (Ref # 39087)	39087-0014-66L	1
PAD,INNER (Ref # 39156)	39156-2457	1
HOLDER-HANDLE (Ref # 46012)	46012-0394	1
HOLDER-HANDLE,UPP (Ref # 46012A)	46012-3720	2
BOLT,8X25 (Ref # 92002)	92002-3774	4
SCREW,5X30 (Ref # 92009)	92009-3836	2
WASHER,6.5X20X1.5 (Ref # 92022)	92022-3710	2
RIVET (Ref # 92039)	92039-3785	4
BAND,L=188.85 (Ref # 92072)	92072-0105	2
BAND,TETHER SWITCH (Ref # 92072A)	92072-0891	1
BOLT,SOCKET,6X14 (Ref # 92154)	92154-3988	8
TUBE,35X37X200 (Ref # 92192)	92192-1990	1
BOLT-WSP-SMALL,8X40 (Ref # 155)	155R0840	4
SCREW-PAN-CROS,5X14 (Ref # 220)	220R0514	1
SCREW-PAN-CROS,5X25 (Ref # 220A)	220R0525	2
WASHER-PLAIN-SMALL,6MM (Ref # 410)	410S0600	6