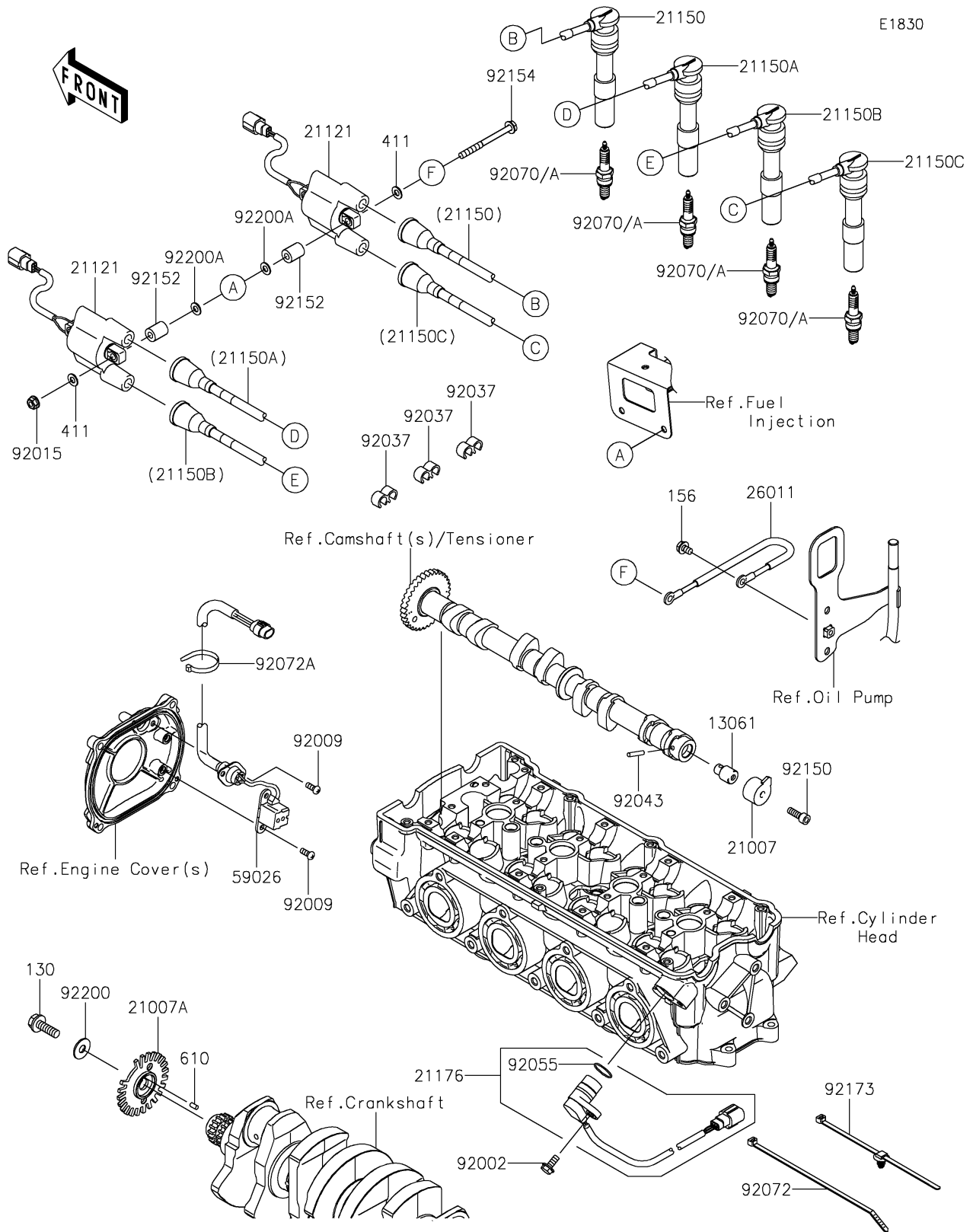


2025 STX 160X PARTS DIAGRAM

Ignition System



2025 STX 160X PARTS LIST

Ignition System

ITEM NAME	PART NUMBER	QUANTITY
BOSS,CAM SENSOR (Ref # 13061)	13061-1687	1
ROTOR,EX CAM (Ref # 21007)	21007-3742	1
ROTOR,PULSING (Ref # 21007A)	21007-3744	1
COIL-IGNITION (Ref # 21121)	21121-0744	2
CORD-ASSY,#1,L=340 (Ref # 21150)	21150-0006	1
CORD-ASSY,#2,L=450 (Ref # 21150A)	21150-0007	1
CORD-ASSY,#3,L=540 (Ref # 21150B)	21150-0008	1
CORD-ASSY,#4,L=600 (Ref # 21150C)	21150-0009	1
SENSOR,CAM ANGLE (Ref # 21176)	21176-1077	1
WIRE-LEAD (Ref # 26011)	26011-1905	1
COIL-PULSING (Ref # 59026)	59026-3702	1
BOLT,6X16 (Ref # 92002)	92002-3728	1
SCREW,5X12 (Ref # 92009)	92009-1296	4
NUT,LOCK,6MM (Ref # 92015)	92015-3766	2
CLAMP,CORD (Ref # 92037)	92037-1603	3
PIN (Ref # 92043)	92043-1575	1
RING-O (Ref # 92055)	92055-1639	1
PLUG-SPARK,CR9EKB(NGK) (Ref # 92070)	92070-0050	4
PLUG-SPARK,CR8EKB(NGK) (Ref # 92070A)	92070-0708	4
BAND,L=188.85 (Ref # 92072)	92072-0105	1
BAND,L=152 (Ref # 92072A)	92072-3874	1
BOLT,6X18 (Ref # 92150)	92150-1645	1
COLLAR (Ref # 92152)	92152-3738	4
BOLT,6X70 (Ref # 92154)	92154-4158	2
CLAMP (Ref # 92173)	92173-0742	1
WASHER,8.0X22.0X1.5 (Ref # 92200)	92200-0174	1
WASHER,6.5X14X1 (Ref # 92200A)	92200-1388	4
BOLT-FLANGED,8X25 (Ref # 130)	130CD0825	1
BOLT-WP,6X10 (Ref # 156)	156R0610	1

2025 STX 160X PARTS LIST

Ignition System

ITEM NAME	PART NUMBER	QUANTITY
WASHER-PLAIN,6MM (Ref # 411)	411S0600	2
ROLLER,4X8 (Ref # 610)	610A0408	1