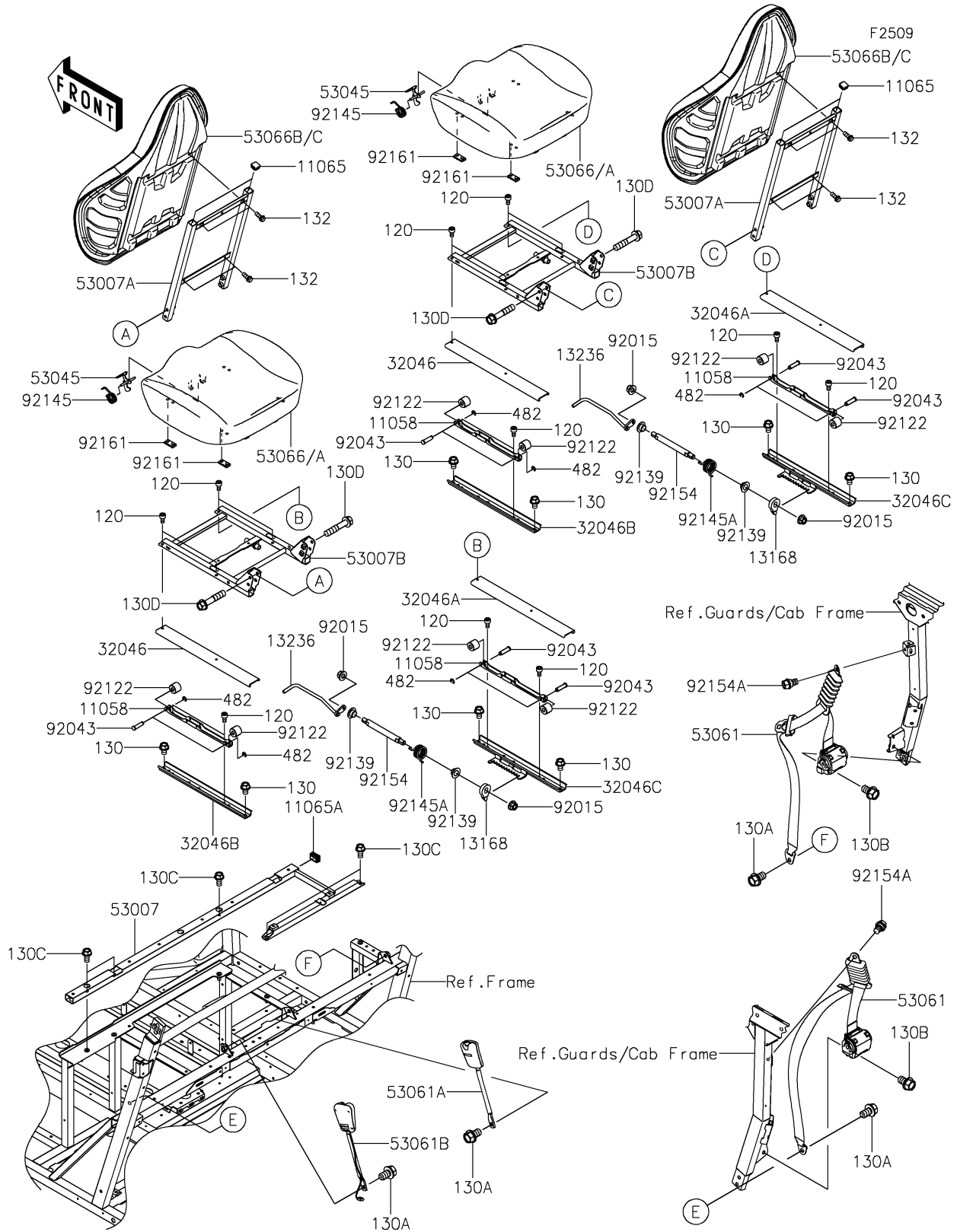


2025 RIDGE® XR CREW HVAC PARTS DIAGRAM

Seat(Front)



2025 RIDGE® XR CREW HVAC PARTS LIST

Seat(Front)

ITEM NAME	PART NUMBER	QUANTITY
BRACKET,SEAT RAIL (Ref # 11058)	11058-0250	4
CAP (Ref # 11065)	11065-0901	4
CAP (Ref # 11065A)	11065-0907	1
LEVER,STOP (Ref # 13168)	13168-0883	2
LEVER-COMP,SEAT SLIDE (Ref # 13236)	13236-0851	2
BRACKET-SEAT,UPP RAIL,LH (Ref # 32046)	32046-0481	2
BRACKET-SEAT,UPP RAIL,RH (Ref # 32046A)	32046-0482	2
BRACKET-SEAT,LWR RAIL,LH (Ref # 32046B)	32046-0483	2
BRACKET-SEAT,LWR RAIL,RH (Ref # 32046C)	32046-0484	2
FRAME-SEAT (Ref # 53007)	53007-0455	1
FRAME-SEAT,BACK,DRIVER (Ref # 53007A)	53007-0461	2
FRAME-SEAT,FR BOTTOM (Ref # 53007B)	53007-0504	2
HOOK-ASSY (Ref # 53045)	53045-0019	2
BELT-SEAT,RETRACTOR,L=2650 (Ref # 53061)	53061-0346	2
BELT-SEAT,BUCKLE,PASSENGER (Ref # 53061A)	53061-0358	1
BELT-SEAT,BUCKLE,DRIVER (Ref # 53061B)	53061-0365	1
SEAT-ASSY,BOTTOM,BLACK+SIL (Ref # 53066)	53066-0878-55P	2
SEAT-ASSY,BOTTOM,BLACK+GRN+SIL (Ref # 53066A)	53066-0878-71Y	2
SEAT-ASSY,BACK,BLACK+SIL+SIL (Ref # 53066B)	53066-0951-41H	2
SEAT-ASSY,BACK,BLK+GRN+SIL+GRN (Ref # 53066C)	53066-0951-71X	2
NUT,8MM (Ref # 92015)	92015-1432	4
PIN (Ref # 92043)	92043-0991	8
ROLLER (Ref # 92122)	92122-0572	8
BUSHING (Ref # 92139)	92139-0230	4
SPRING,SEAT LATCH (Ref # 92145)	92145-0022	2
SPRING,ADJUST LEVER (Ref # 92145A)	92145-1858	2
BOLT,ADJUST LEVER (Ref # 92154)	92154-3923	2
BOLT,FLANGED,10X16 (Ref # 92154A)	92154-7395	2
DAMPER,SEAT (Ref # 92161)	92161-1489	8

2025 RIDGE® XR CREW HVAC PARTS LIST

Seat(Front)

ITEM NAME	PART NUMBER	QUANTITY
BOLT-SOCKET,6X12 (Ref # 120)	120CA0612	16
BOLT-FLANGED,8X12 (Ref # 130)	130AA0812	8
BOLT-FLANGED,12X20 (Ref # 130A)	130BA1220	4
BOLT-FLANGED,12X20 (Ref # 130B)	130BB1220	2
BOLT-FLANGED,8X16 (Ref # 130C)	130CA0816	5
BOLT-FLANGED,10X50 (Ref # 130D)	130CA1050	8
BOLT-FLANGED-SMALL,6X14 (Ref # 132)	132BB0614	8
CIRCLIP-TYPE-E,4MM (Ref # 482)	482J4000	8