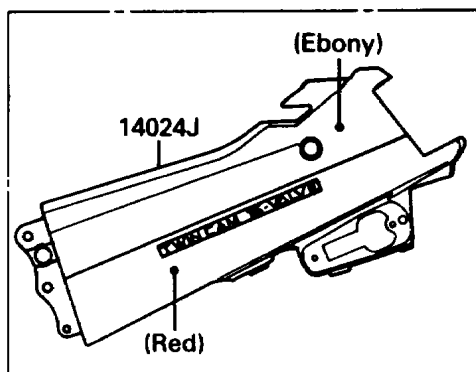
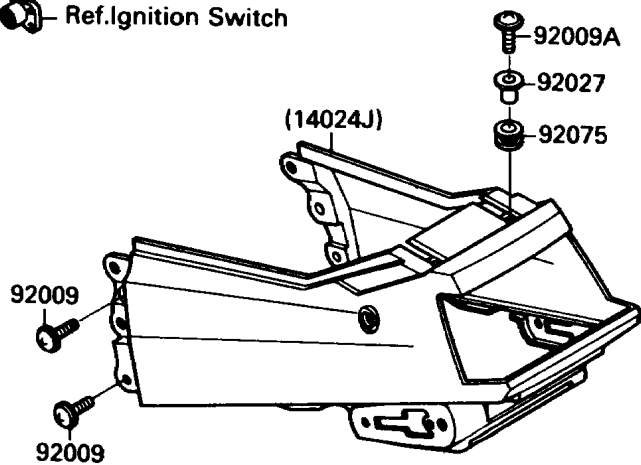
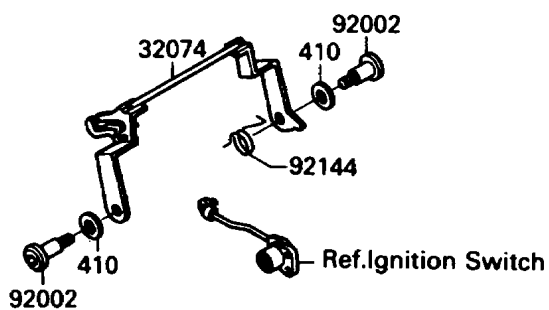
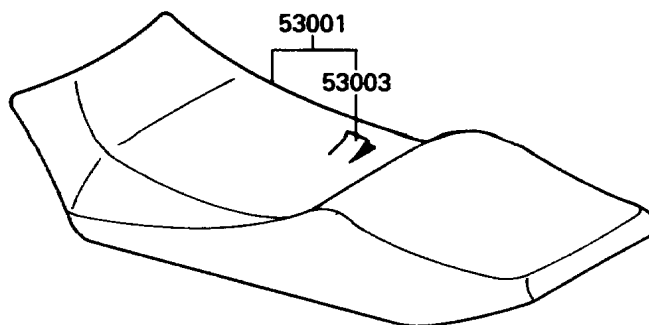


1990 Ninja® 750R PARTS DIAGRAM

Seat

F2510



1990 Ninja® 750R PARTS LIST

Seat

ITEM NAME	PART NUMBER	QUANTITY
COVER,SEAT,EBONY/RED (Ref # 14024J)	14024-5112-J3	1
BRACKET-LOCK,SEAT (Ref # 32074)	32074-1130	1
SEAT-ASSY,DUAL,BLACK (Ref # 53001)	53001-1494-MA	1
LEATHER,SEAT,BLACK (Ref # 53003)	53003-1178-MA	1
BOLT,SOCKET,6MM (Ref # 92002)	92002-1616	1
SCREW,6X18,BLACK (Ref # 92009)	92009-1181	1
SCREW,6X20,BLACK (Ref # 92009A)	92009-1251	1
COLLAR,L=14.1 (Ref # 92027)	92027-1920	1
DAMPER (Ref # 92075)	92075-1913	1
SPRING,SEAT LOCK (Ref # 92144)	92144-1086	1
WASHER-PLAIN-SMALL,10MM,BLACK (Ref # 410)	410F1000	1