

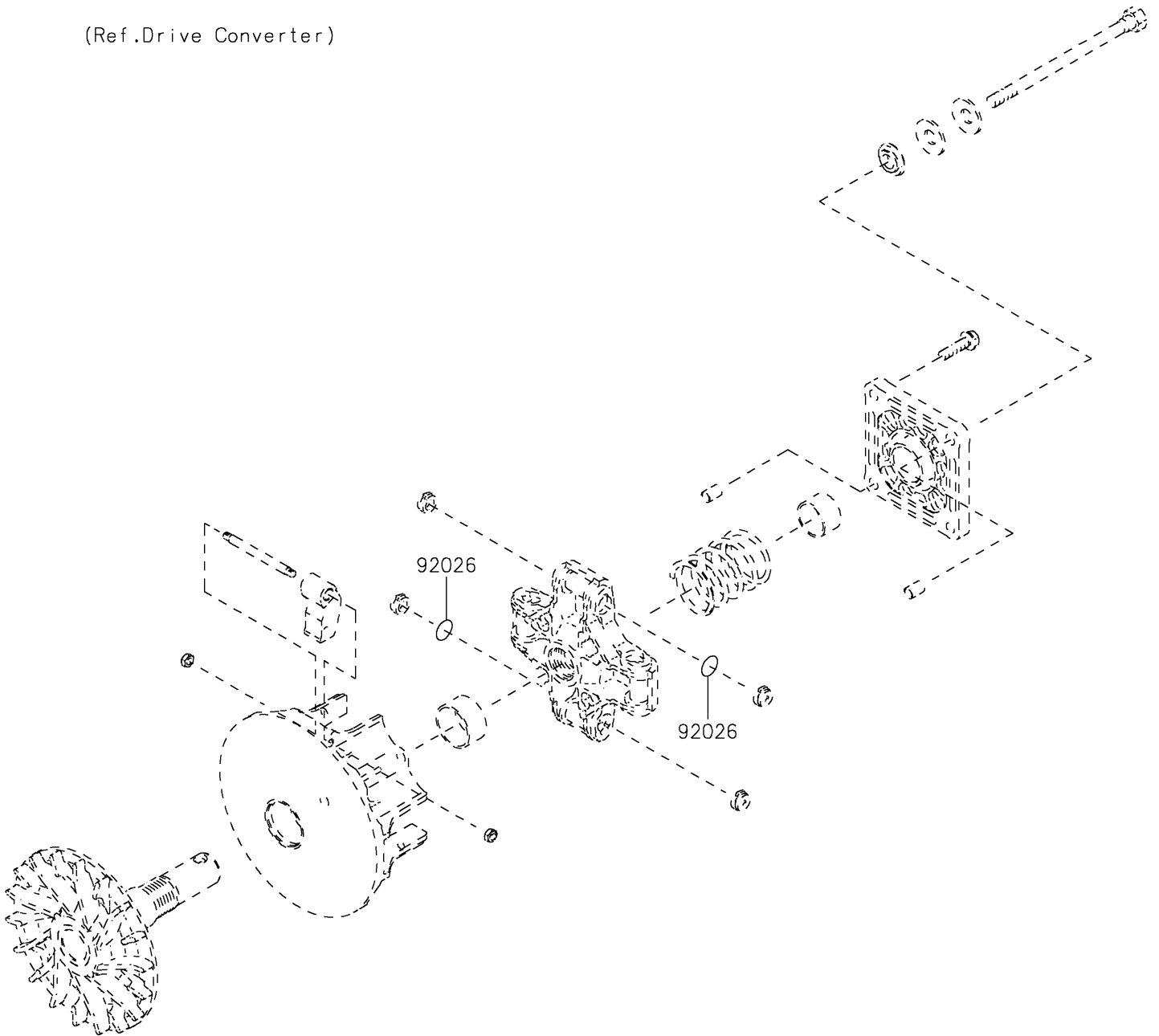
# 2024 MULE SX™ 4x4 XC PARTS DIAGRAM

Optional Parts

F2890



(Ref. Drive Converter)



## 2024 MULE SX™ 4x4 XC PARTS LIST

### Optional Parts

ITEM NAME	PART NUMBER	QUANTITY
SPACER,T=0.1 (Ref # 92026)	92026-0038	2