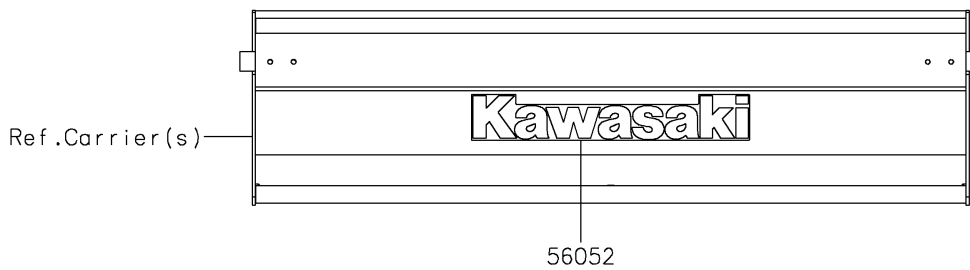
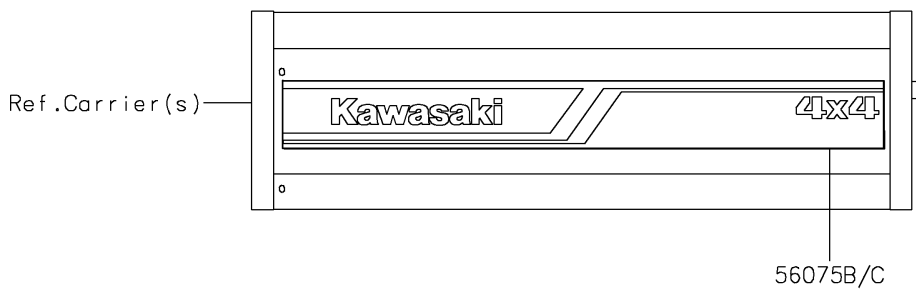
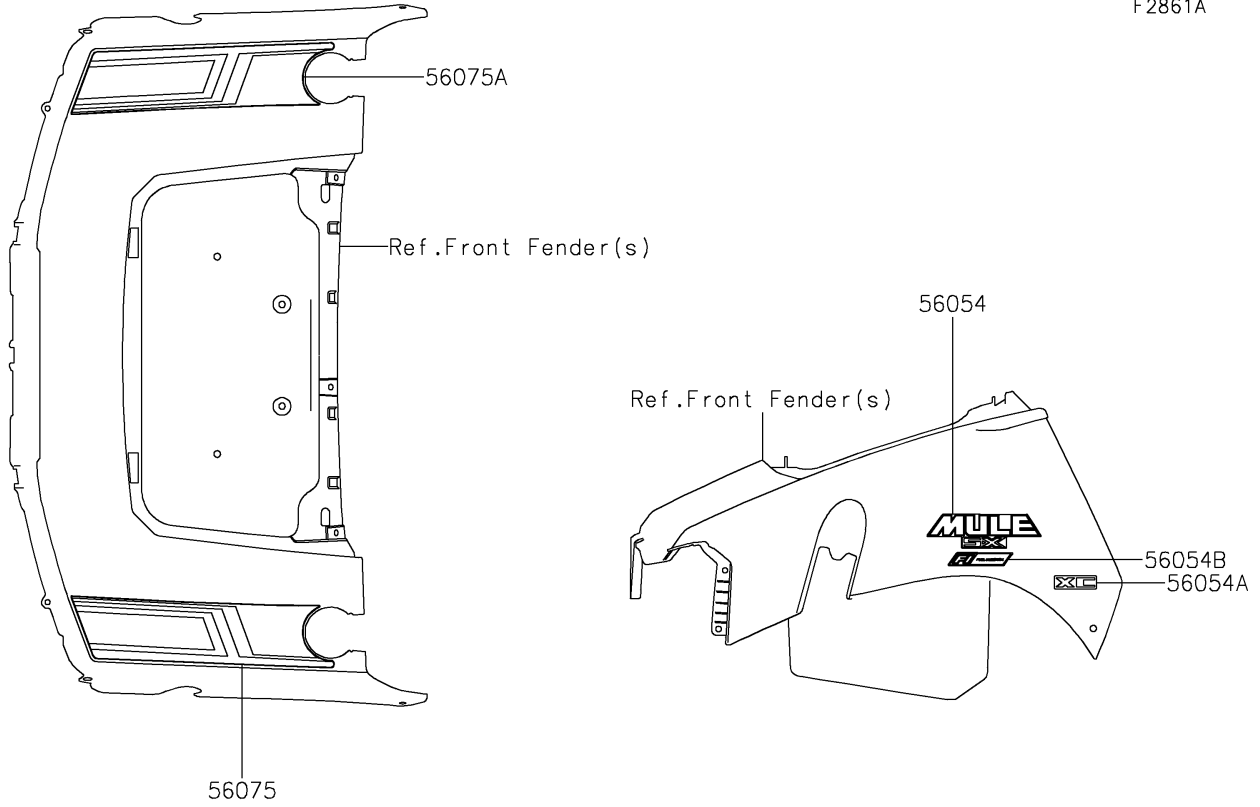


# 2025 MULE SX™ 4x4 XC PARTS DIAGRAM

Decals(Green)(RRSNN)

F2861A



## 2025 MULE SX™ 4x4 XC PARTS LIST

Decals(Green)(RRSNN)

ITEM NAME	PART NUMBER	QUANTITY
MARK,KAWASAKI (Ref # 56052)	56052-1809	1
MARK,FR FENDER,MULE SX (Ref # 56054)	56054-2063	2
MARK,FR FENDER,XC (Ref # 56054A)	56054-2064	2
MARK,FR FENDER,FUEL INJECTION (Ref # 56054B)	56054-2459	2
PATTERN,FR FENDER,LH (Ref # 56075)	56075-7974	1
PATTERN,FR FENDER,RH (Ref # 56075A)	56075-7975	1
PATTERN,SIDE PLATE,LH (Ref # 56075B)	56075-7976	1
PATTERN,SIDE PLATE,RH (Ref # 56075C)	56075-7977	1