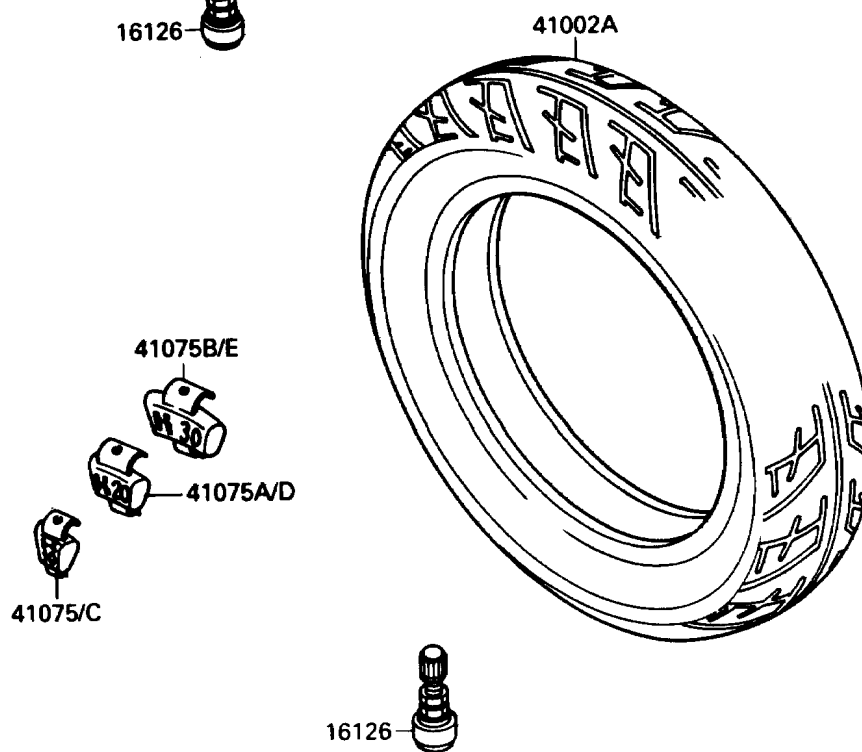
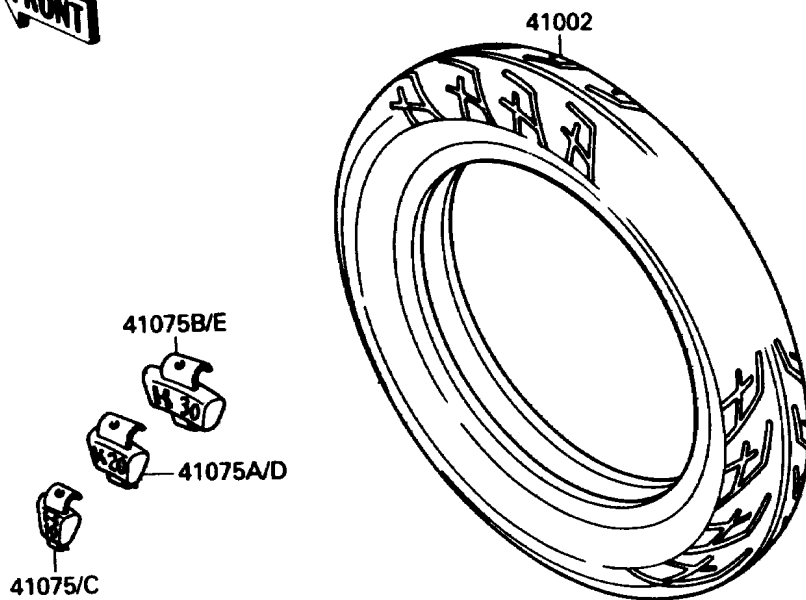


## 1990 Ninja® 750R PARTS DIAGRAM

Tires

F2210



## 1990 Ninja® 750R PARTS LIST

Tires

ITEM NAME	PART NUMBER	QUANTITY
VALVE,TIRE (Ref # 16126)	16126-1136	1
TIRE,FR,110/90V16-V250,K205F(D) (Ref # 41002)	41002-1607	1
TIRE,RR,140/70V18-V250,K205(D) (Ref # 41002A)	41002-1608	1
BALANCER-WHEEL,10G,SILVER (Ref # 41075)	41075-1014	1
BALANCER-WHEEL,20G,SILVER (Ref # 41075A)	41075-1015	1
BALANCER-WHEEL,30G,SILVER (Ref # 41075B)	41075-1016	1
BALANCER-WHEEL,10G,BLACK (Ref # 41075C)	41075-1051	1
BALANCER-WHEEL,20G,BLACK (Ref # 41075D)	41075-1052	1
BALANCER-WHEEL,30G,BLACK (Ref # 41075E)	41075-1053	1