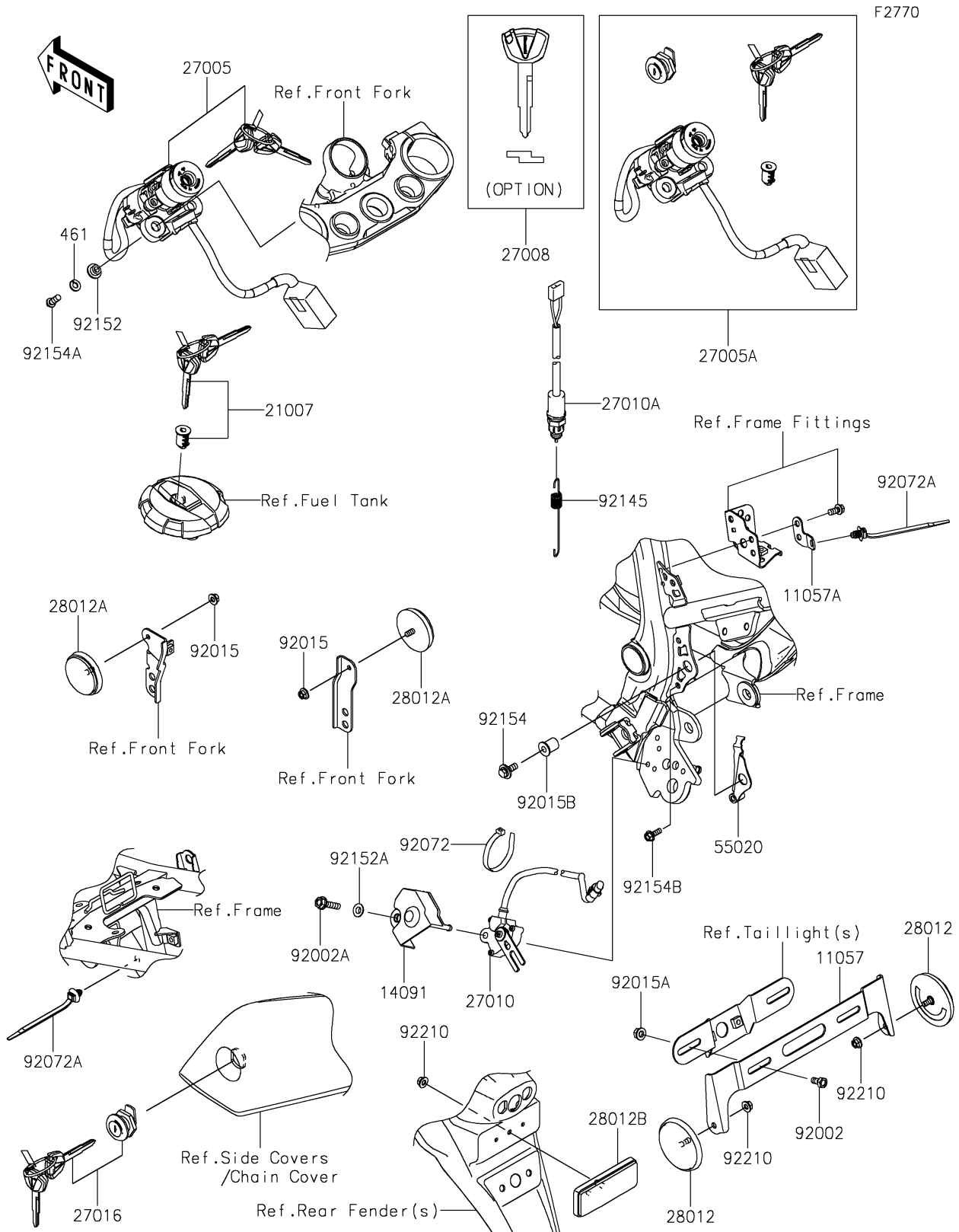


2024 KLX® 230SM ABS PARTS DIAGRAM

Ignition Switch



2024 KLX® 230SM ABS PARTS LIST

Ignition Switch

ITEM NAME	PART NUMBER	QUANTITY
BRACKET,REFLECTOR (Ref # 11057)	11057-0641	1
BRACKET (Ref # 11057A)	11057-4032	1
COVER,SIDE STAND SWITCH (Ref # 14091)	14091-1553	1
ROTOR,LOCK,TANK CAP (Ref # 21007)	21007-5077	1
SWITCH-ASSY-IGNITION (Ref # 27005)	27005-0721	1
SWITCH-ASSY-IGNITION (Ref # 27005A)	27005-5194	1
KEY-LOCK,BLANK (Ref # 27008)	27008-0596	1
SWITCH,SIDE STAND (Ref # 27010)	27010-0097	1
SWITCH,REAR BRAKE (Ref # 27010A)	27010-0106	1
LOCK-ASSY (Ref # 27016)	27016-5387	1
REFLECTOR-REFLEX (Ref # 28012)	28012-0002	2
REFLECTOR-REFLEX,FR (Ref # 28012A)	28012-016	2
REFLECTOR-REFLEX (Ref # 28012B)	28012-1077	1
GUARD (Ref # 55020)	55020-2307	1
BOLT,6X12 (Ref # 92002)	92002-1132	2
BOLT,FLANGED,6X25 (Ref # 92002A)	92002-1582	1
NUT,FLANGED,5MM (Ref # 92015)	92015-1259	2
NUT,FLANGED,6MM (Ref # 92015A)	92015-1367	2
NUT (Ref # 92015B)	92015-1700	1
BAND,L=200 (Ref # 92072)	92072-0946	1
BAND,OS170-FT7(BLACK) (Ref # 92072A)	92072-0947	2
SPRING (Ref # 92145)	92145-1940	1
COLLAR,6.15X10.15X6 (Ref # 92152)	92152-1535	2
COLLAR,6.4X8X4.3 (Ref # 92152A)	92152-2212	1
BOLT,FLANGED-SMALL,6X16 (Ref # 92154)	92154-1183	1
BOLT,TORX,6X16 (Ref # 92154A)	92154-7275	2
BOLT,FLANGED,5X14 (Ref # 92154B)	92154-7277	1
NUT,FLANGED,5MM (Ref # 92210)	92210-0007	3
WASHER-SPRING,6MM (Ref # 461)	461DA0600	2