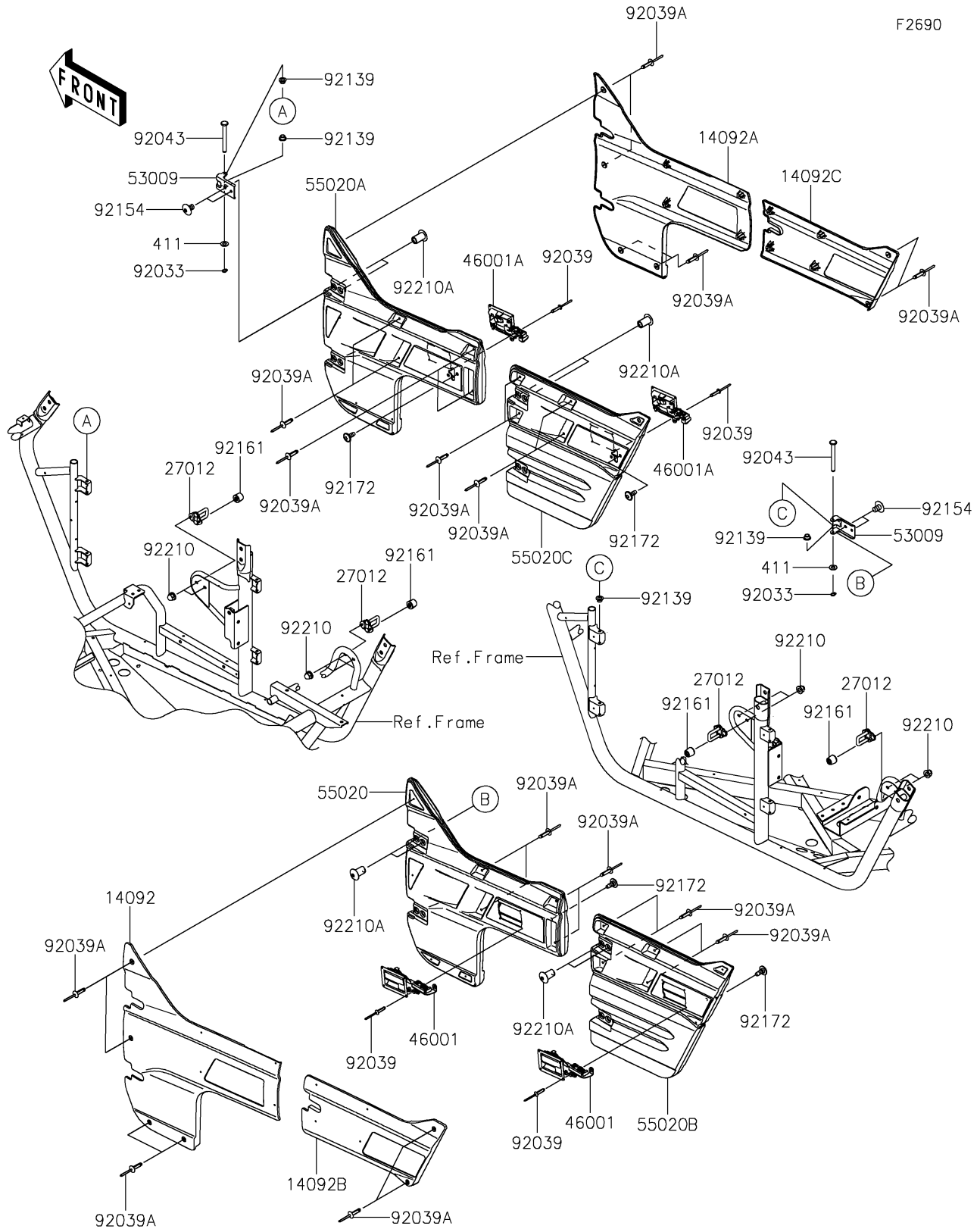


2018 TERYX4™ CAMO PARTS DIAGRAM

Door

F2690



2018 TERYX4™ CAMO PARTS LIST

Door

ITEM NAME	PART NUMBER	QUANTITY
COVER,SIDE GUARD,FR,LH,CAMO (Ref # 14092)	14092-0806-42H	1
COVER,SIDE GUARD,FR,RH,CAMO (Ref # 14092A)	14092-0807-42H	1
COVER,SIDE GUARD,RR,LH,CAMO (Ref # 14092B)	14092-0808-42H	1
COVER,SIDE GUARD,RR,RH,CAMO (Ref # 14092C)	14092-0809-42H	1
HOOK (Ref # 27012)	27012-0705	4
HANDLE-ASSY,SIDE GUARD,LH (Ref # 46001)	46001-0556	2
HANDLE-ASSY,SIDE GUARD,RH (Ref # 46001A)	46001-0557	2
HINGE (Ref # 53009)	53009-0303	8
GUARD,SIDE,FR,LH (Ref # 55020)	55020-0737	1
GUARD,SIDE,FR,RH (Ref # 55020A)	55020-0738	1
GUARD,SIDE,RR,LH (Ref # 55020B)	55020-0739	1
GUARD,SIDE,RR,RH (Ref # 55020C)	55020-0740	1
RING-SNAP (Ref # 92033)	92033-0719	8
RIVET,4.0X17.5 (Ref # 92039)	92039-0703	16
RIVET,5X23.3 (Ref # 92039A)	92039-0769	28
PIN,6X56 (Ref # 92043)	92043-0743	8
BUSHING,6X8X6 (Ref # 92139)	92139-0709	16
BOLT,TORX,8X13 (Ref # 92154)	92154-1911	16
DAMPER,9X28X24.3 (Ref # 92161)	92161-1456	4
SCREW,6X16 (Ref # 92172)	92172-0711	8
NUT,CAP,6MM (Ref # 92210)	92210-0003	8
NUT,TORX,8MM (Ref # 92210A)	92210-1442	16
WASHER-PLAIN,6MM (Ref # 411)	411AB0600	8