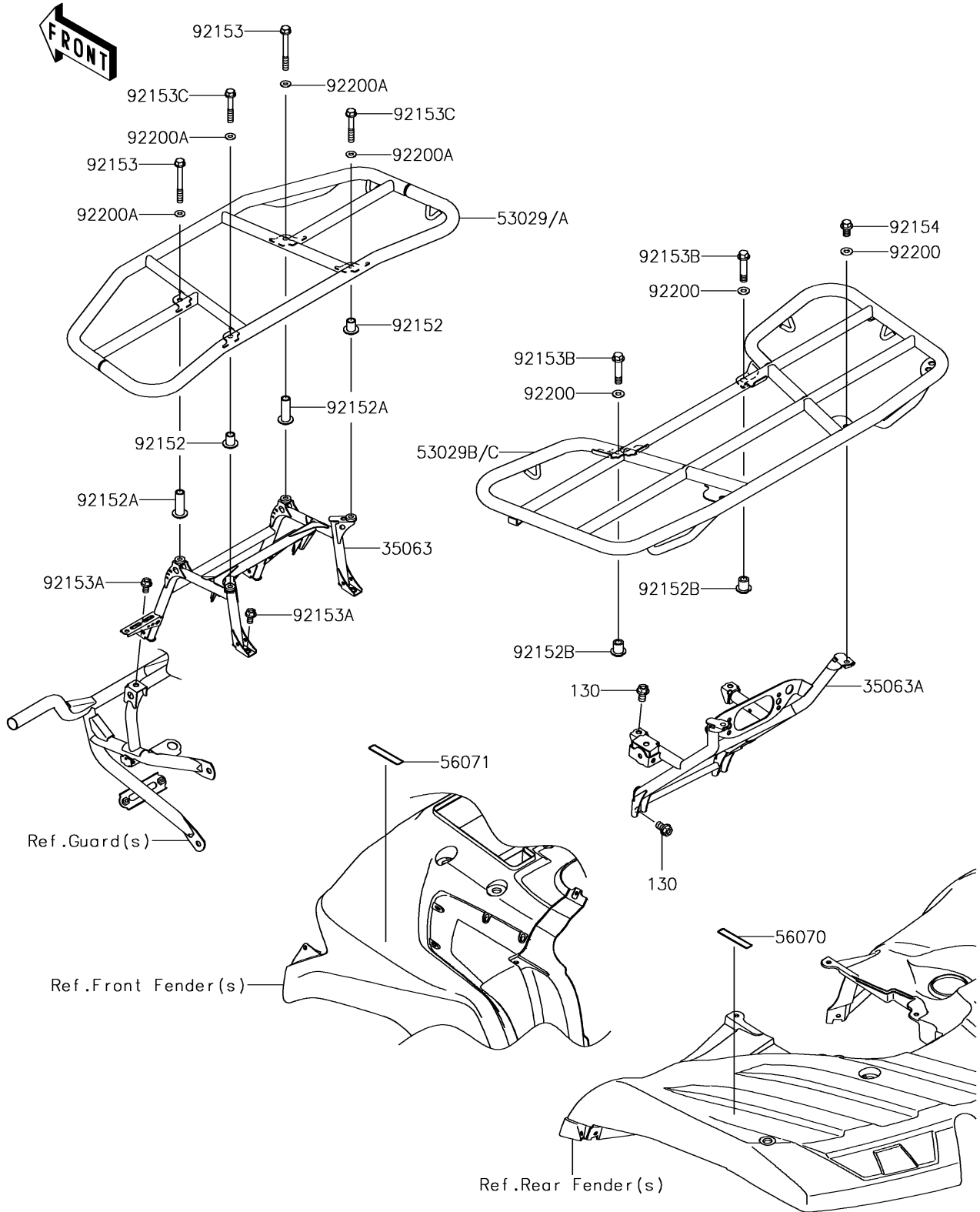


# 2015 Brute Force® 750 4x4i EPS PARTS DIAGRAM

Carrier(s)

F2520



## 2015 Brute Force® 750 4x4i EPS PARTS LIST

Carrier(s)

| ITEM NAME                                 | PART NUMBER    | QUANTITY |
|---|----------------|----------|
| STAY,FR CARRIER (Ref # 35063)             | 35063-0826     | 1        |
| STAY,RR CARRIER,T.BLACK (Ref # 35063A)    | 35063-0946-388 | 1        |
| CARRIER,FR,T.M.GRAY (Ref # 53029)         | 53029-0093-16Y | 1        |
| CARRIER,RR,T.M.GRAY (Ref # 53029B)        | 53029-0094-16Y | 1        |
| LABEL-WARNING,MAXIMUM LOAD (Ref # 56070)  | 56070-0041     | 1        |
| LABEL-WARNING,MAX LOAD 40KG (Ref # 56071) | 56071-0200     | 1        |
| COLLAR (Ref # 92152)                      | 92152-0823     | 2        |
| COLLAR (Ref # 92152A)                     | 92152-0896     | 2        |
| COLLAR (Ref # 92152B)                     | 92152-0897     | 2        |
| BOLT,FLANGED,8X70 (Ref # 92153)           | 92153-0748     | 2        |
| BOLT,FLANGED,8X14 (Ref # 92153A)          | 92153-0931     | 4        |
| BOLT,FLANGED,10X44 (Ref # 92153B)         | 92153-1374     | 2        |
| BOLT,FLANGED,8X50 (Ref # 92153C)          | 92153-1755     | 2        |
| BOLT,FLANGED,10X16 (Ref # 92154)          | 92154-0916     | 2        |
| WASHER,10.3X23X1.6 (Ref # 92200)          | 92200-0724     | 4        |
| WASHER,8.5X20X1.6 (Ref # 92200A)          | 92200-0774     | 4        |
| BOLT-FLANGED,10X16 (Ref # 130)            | 130CA1016      | 4        |