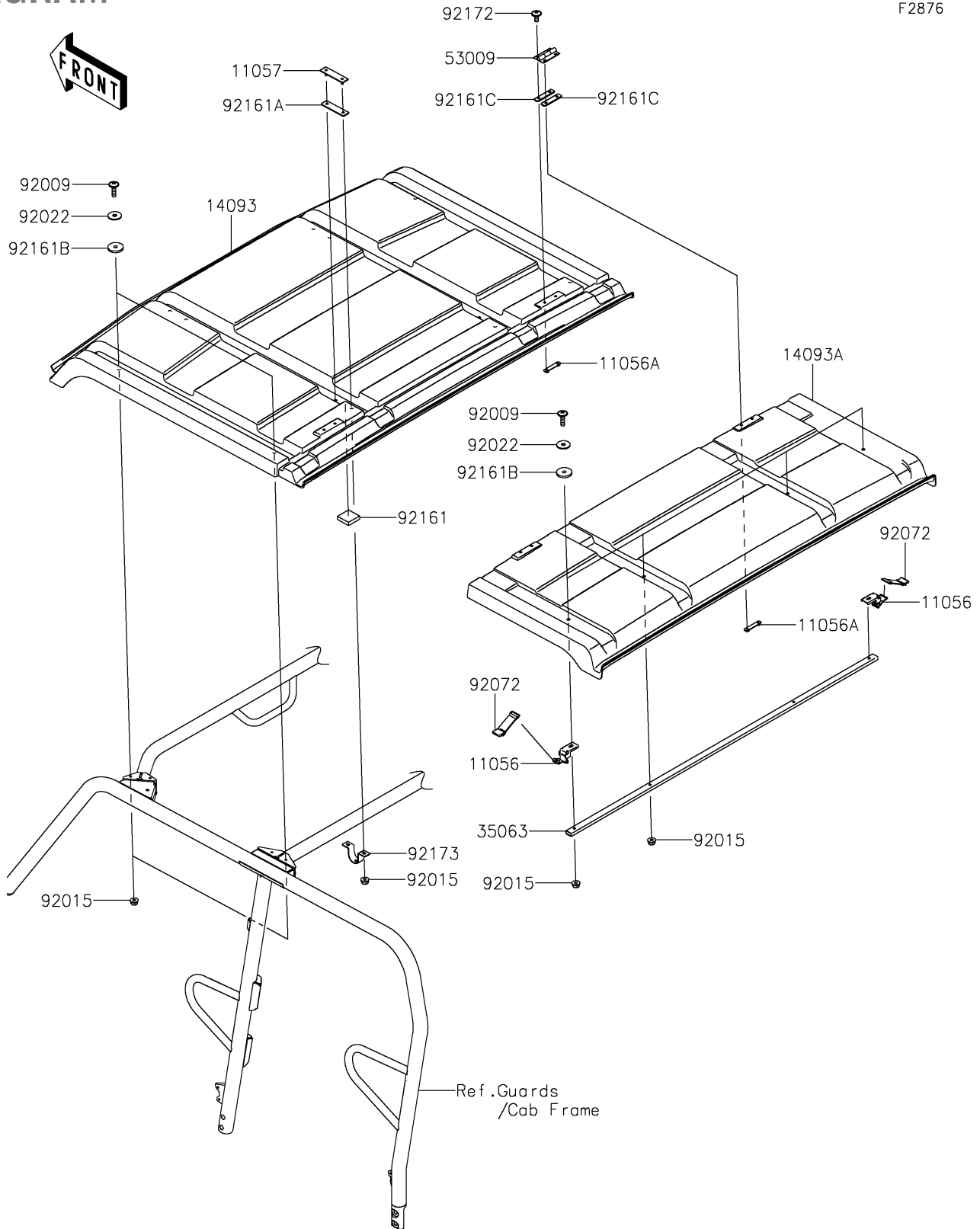


2024 MULE PRO-FXT™ 1000 PLATINUM RANCH EDITION PARTS DIAGRAM

F2876



2024 MULE PRO-FXT™ 1000 PLATINUM RANCH EDITION PARTS LIST

Sun Top

| ITEM NAME | PART NUMBER | QUANTITY |
|------------------------------------|-------------|----------|
| BRACKET (Ref # 11056) | 11056-3815 | 2 |
| BRACKET (Ref # 11056A) | 11056-3910 | 4 |
| BRACKET (Ref # 11057) | 11057-0074 | 4 |
| COVER,SUNTOP,FR (Ref # 14093) | 14093-0017 | 1 |
| COVER,SUNTOP,RR (Ref # 14093A) | 14093-0018 | 1 |
| STAY,RR SUNTOP (Ref # 35063) | 35063-0944 | 1 |
| HINGE (Ref # 53009) | 53009-0034 | 2 |
| SCREW,6X22,BLACK (Ref # 92009) | 92009-1256 | 8 |
| NUT,LOCK,FLANGED,6MM (Ref # 92015) | 92015-1603 | 16 |
| WASHER,6.5X22X1.6 (Ref # 92022) | 92022-237 | 8 |
| BAND,TOOL (Ref # 92072) | 92072-1176 | 2 |
| DAMPER,25.4X25.4X6.3 (Ref # 92161) | 92161-1405 | 4 |
| DAMPER (Ref # 92161A) | 92161-1476 | 4 |
| DAMPER,6X25X3.15 (Ref # 92161B) | 92161-1633 | 8 |
| DAMPER (Ref # 92161C) | 92161-1650 | 4 |
| SCREW,6X14 (Ref # 92172) | 92172-0004 | 8 |
| CLAMP,U (Ref # 92173) | 92173-1224 | 4 |