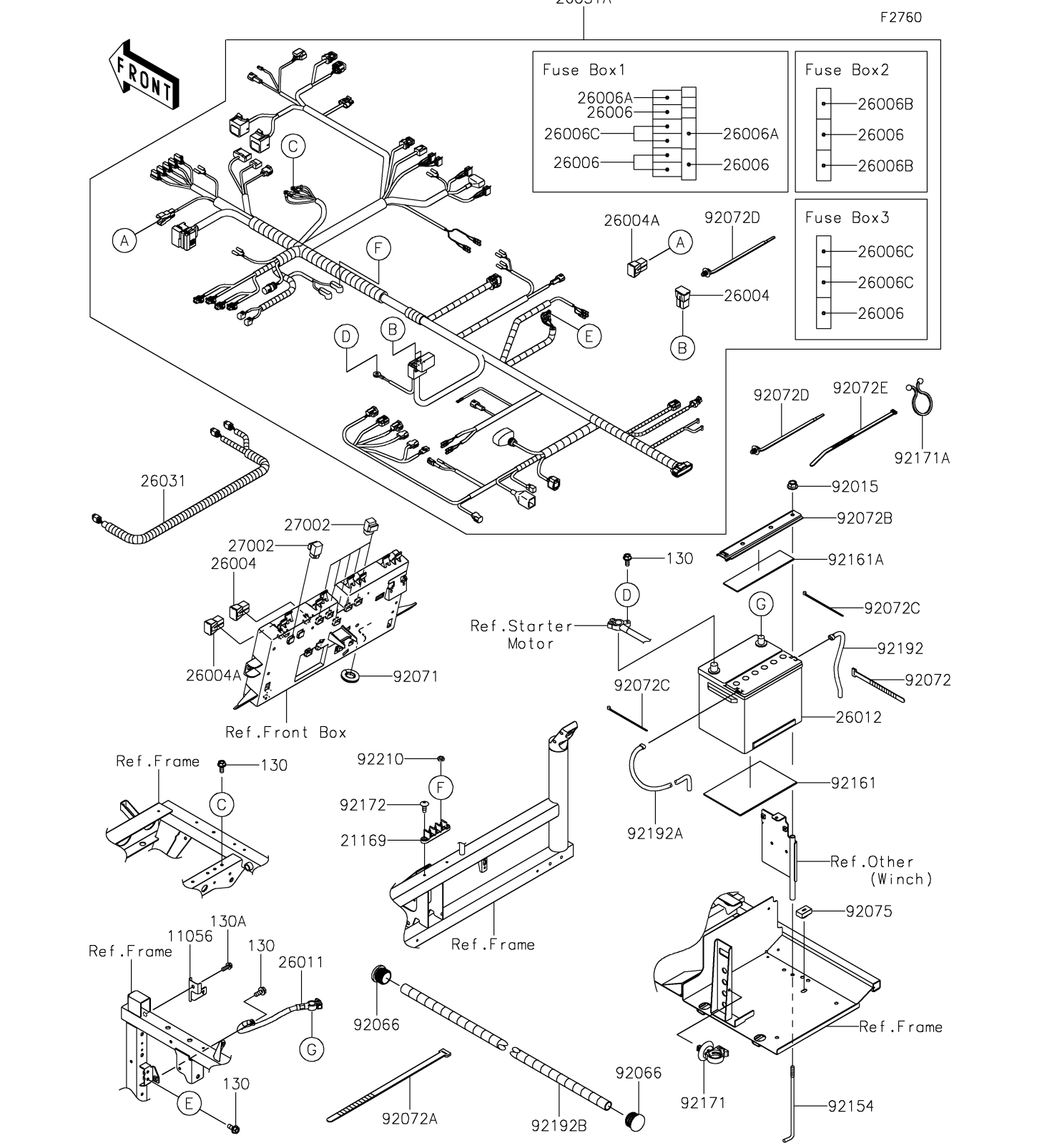


2024 MULE PRO-FXT™ 1000 PLATINUM RANCH EDITION PARTS

Classical Electric Equipment



2024 MULE PRO-FXT™ 1000 PLATINUM RANCH EDITION PARTS LIST

Chassis Electrical Equipment

ITEM NAME	PART NUMBER	QUANTITY
BRACKET (Ref # 11056)	11056-4397	1
TERMINAL (Ref # 21169)	21169-0571	1
FUSE-ASSY,60A (Ref # 26004)	26004-0024	3
FUSE-ASSY,40A (Ref # 26004A)	26004-0035	2
FUSE,MINI BLADE,10A,RED (Ref # 26006)	26006-0009	6
FUSE,MINI BLADE,25A,NATURAL (Ref # 26006A)	26006-0020	2
FUSE,MINI BLADE,30A,GREEN (Ref # 26006B)	26006-1080	2
FUSE,MINI BLADE,20A,YELLOW (Ref # 26006C)	26006-3704	4
WIRE-LEAD,BATTERY(-) (Ref # 26011)	26011-0912	1
BATTERY,12V 32AH (Ref # 26012)	26012-0619	1
HARNESS,SUB (Ref # 26031)	26031-2226	1
HARNESS,MAIN (Ref # 26031A)	26031-7068	1
RELAY-ASSY (Ref # 27002)	27002-1062	6
NUT,FLANGED,8MM (Ref # 92015)	92015-1406	1
PLUG (Ref # 92066)	92066-0908	2
GROMMET,22X45X9 (Ref # 92071)	92071-0729	1
BAND,L=123 (Ref # 92072)	92072-030	1
BAND,L=218 (Ref # 92072A)	92072-032	2
BAND (Ref # 92072B)	92072-0767	1
BAND,92X2.4 (Ref # 92072C)	92072-0791	2
BAND,OS170-FT7(BLACK) (Ref # 92072D)	92072-1414	AR
BAND,L=292.1 (Ref # 92072E)	92072-3509	9
DAMPER (Ref # 92075)	92075-099	1
BOLT,BATTERY (Ref # 92154)	92154-1650	1
DAMPER (Ref # 92161)	92161-0578	1
DAMPER (Ref # 92161A)	92161-1753	1
CLAMP (Ref # 92171)	92171-0453	1
CLAMP (Ref # 92171A)	92171-1185	1
SCREW,TAPPING,6X16 (Ref # 92172)	92172-0739	2

2024 MULE PRO-FXT™ 1000 PLATINUM RANCH EDITION PARTS LIST

Chassis Electrical Equipment

ITEM NAME	PART NUMBER	QUANTITY
TUBE,BREATHER,7X10X240 (Ref # 92192)	92192-1646	1
TUBE,BREATHER,7X10X450 (Ref # 92192A)	92192-1694	1
TUBE,CONVOLUTED (Ref # 92192B)	92192-1814	1
NUT (Ref # 92210)	92210-1680	2
BOLT-FLANGED,6X14 (Ref # 130)	130BA0614	5
BOLT-FLANGED,8X20 (Ref # 130A)	130BA0820	1
BAND,L=292.1 (Ref # 92072E)	92072-3509	10