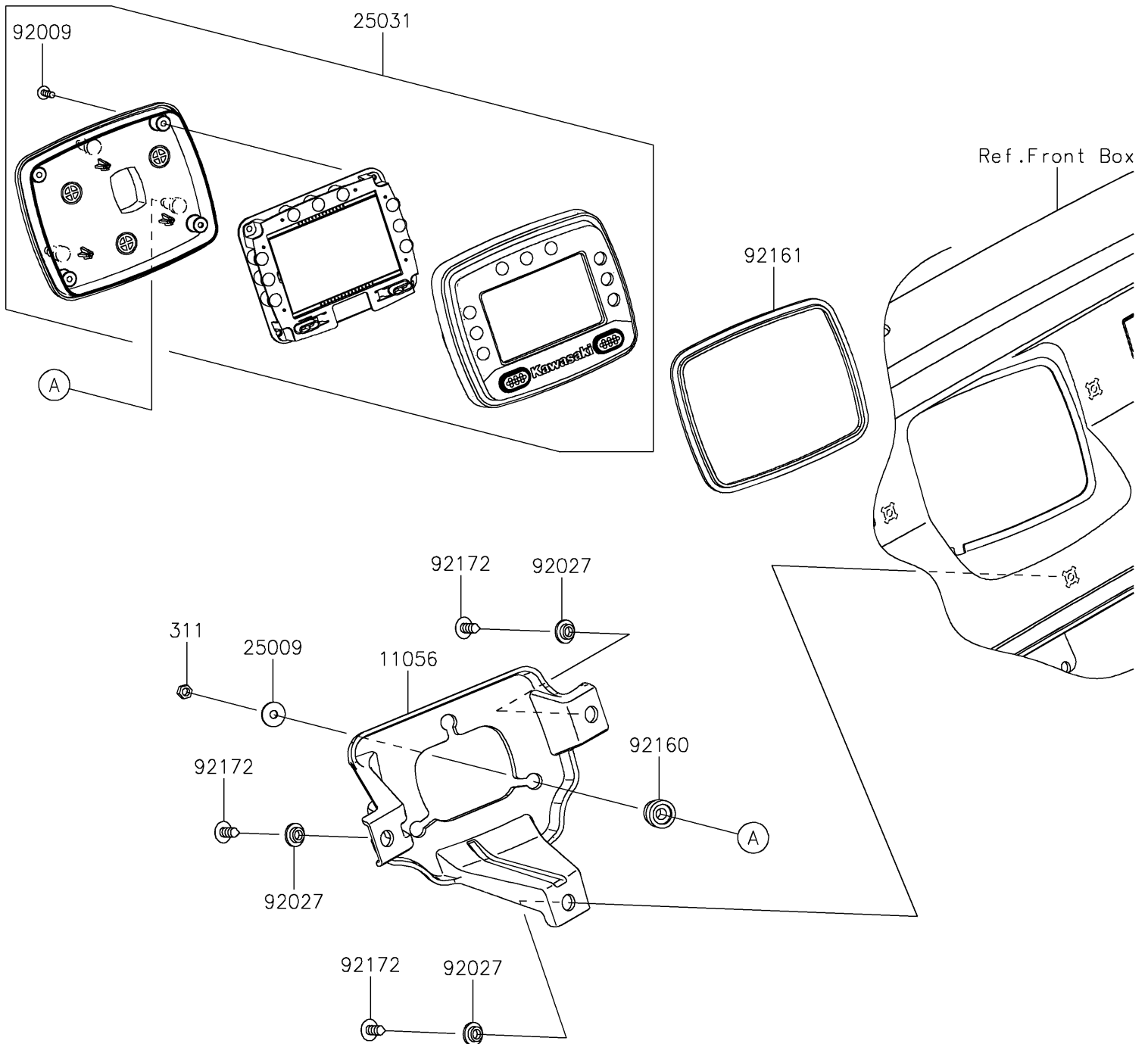


2025 MULE PRO-FXT 1000 Platinum PARTS DIAGRAM

Meter(s)

F2530



2025 MULE PRO-FXT 1000 Platinum PARTS LIST

Meter(s)

ITEM NAME	PART NUMBER	QUANTITY
BRACKET,METER (Ref # 11056)	11056-2956	1
WASHER,5.2X16X1.2 (Ref # 25009)	25009-004	3
METER-ASSY,LCD (Ref # 25031)	25031-1319	1
SCREW,TAPPING,3X12 (Ref # 92009)	92009-1255	4
COLLAR,L=4.6 (Ref # 92027)	92027-1168	3
DAMPER (Ref # 92160)	92160-1460	3
DAMPER,METER (Ref # 92161)	92161-0906	1
SCREW,6X16 (Ref # 92172)	92172-0284	3
NUT-HEX,5MM (Ref # 311)	311AB0500	3