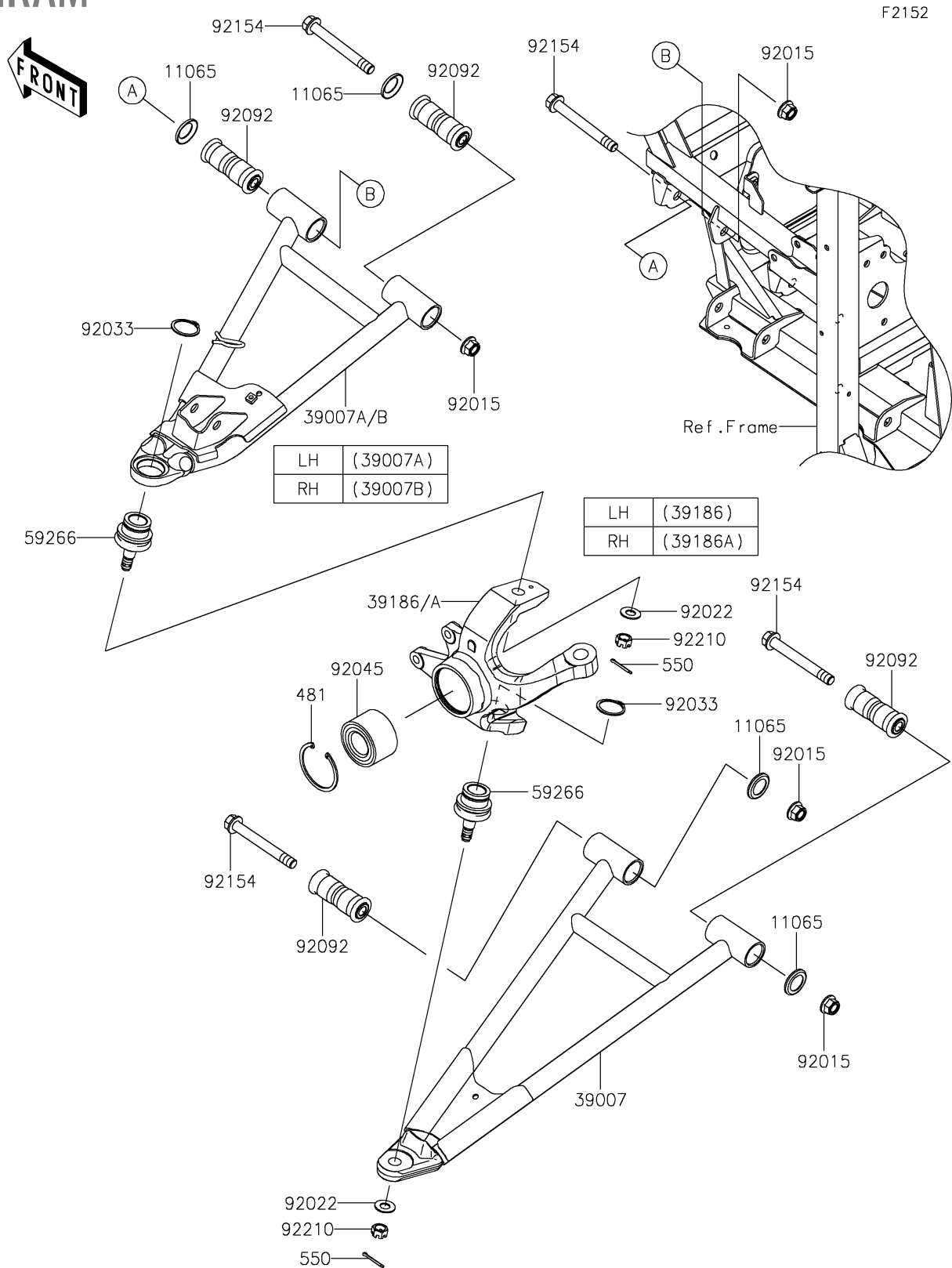


# 2024 MULE PRO-FXT™ 1000 PLATINUM RANCH EDITION PARTS DIAGRAM



F2152

# 2024 MULE PRO-FXT™ 1000 PLATINUM RANCH EDITION PARTS LIST

## Front Suspension

| ITEM NAME                               | PART NUMBER   | QUANTITY |
|---|---------------|----------|
| CAP,ARM (Ref # 11065)                   | 11065-0838    | 8        |
| ARM-SUSP,FR,LWR,LH&RH (Ref # 39007)     | 39007-0383    | 2        |
| ARM-SUSP,FR,UPP,LH,BLACK (Ref # 39007A) | 39007-0499-10 | 1        |
| ARM-SUSP,FR,UPP,RH,BLACK (Ref # 39007B) | 39007-0500-10 | 1        |
| KNUCKLE,FR,LH (Ref # 39186)             | 39186-0339    | 1        |
| KNUCKLE,FR,RH (Ref # 39186A)            | 39186-0340    | 1        |
| JOINT-BALL (Ref # 59266)                | 59266-0711    | 4        |
| NUT,LOCK,FLANGED,12MM (Ref # 92015)     | 92015-1433    | 8        |
| WASHER (Ref # 92022)                    | 92022-1831    | 4        |
| RING-SNAP,C-TYPE,32MM (Ref # 92033)     | 92033-1262    | 4        |
| BEARING-BALL,30X60X37 (Ref # 92045)     | 92045-0905    | 2        |
| BUSHING-RUBBER,12X20X78 (Ref # 92092)   | 92092-0028    | 8        |
| BOLT,FLANGED,12X100 (Ref # 92154)       | 92154-1318    | 8        |
| NUT,CASTLE,12MM (Ref # 92210)           | 92210-0395    | 4        |
| CIRCLIP-TYPE-C (Ref # 481)              | 481J6000      | 2        |
| PIN-COTTER,3.0X25 (Ref # 550)           | 550AA3025     | 4        |