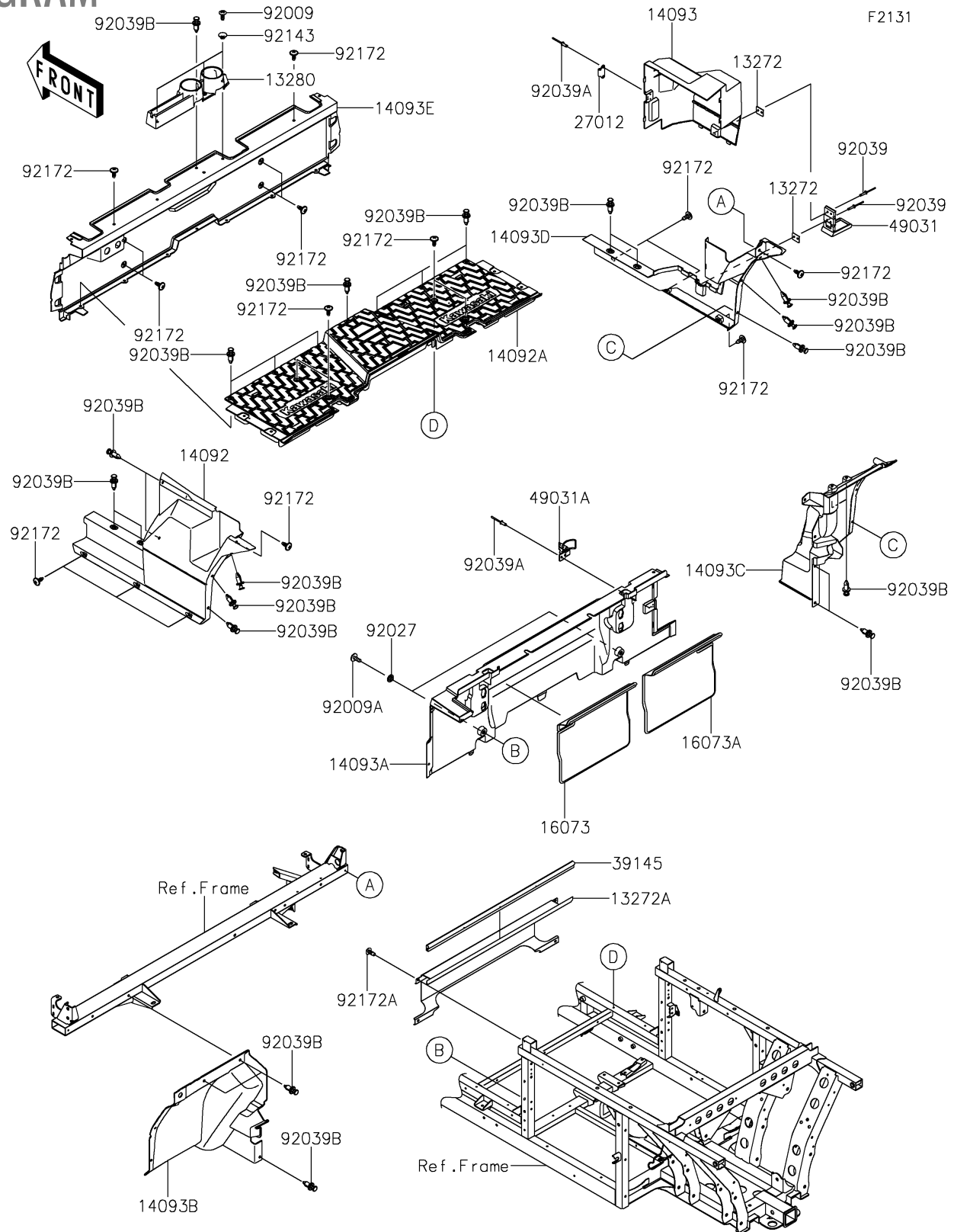


# 2024 MULE PRO-FXT™ 1000 PLATINUM RANCH EDITION PARTS

## DIAGRAM



# 2024 MULE PRO-FXT™ 1000 PLATINUM RANCH EDITION PARTS LIST

## Frame Fittings(Rear)(DRFNN-DSSNL)

ITEM NAME	PART NUMBER	QUANTITY
PLATE,LATCH (Ref # 13272)	13272-1828	2
PLATE,INSULATOR (Ref # 13272A)	13272-4130	1
HOLDER,RR CUP (Ref # 13280)	13280-1353	1
COVER,SIDE,LH,RR (Ref # 14092)	14092-1190	1
COVER,FLOOR,BOTTOM (Ref # 14092A)	14092-1196	1
COVER,A/C (Ref # 14093)	14093-0366	1
COVER,RR SEAT (Ref # 14093A)	14093-0367	1
COVER,RR,FLOOR,MUD,LH (Ref # 14093B)	14093-0388	1
COVER,RR,FLOOR,MUD,RH (Ref # 14093C)	14093-1397	1
COVER,SIDE,RH,RR (Ref # 14093D)	14093-1398	1
COVER,RR FLOOR,FR (Ref # 14093E)	14093-1428	1
INSULATOR,LH (Ref # 16073)	16073-0814	1
INSULATOR,RH (Ref # 16073A)	16073-0815	1
HOOK,STRIKER (Ref # 27012)	27012-0806	1
TRIM-SEAL (Ref # 39145)	39145-0755	1
LATCH,A/C (Ref # 49031)	49031-0007	1
LATCH,TOGGLE (Ref # 49031A)	49031-0015	1
SCREW,TAPPING,6X16 (Ref # 92009)	92009-1166	3
SCREW,6X16 (Ref # 92009A)	92009-1621	2
COLLAR,L=4.6 (Ref # 92027)	92027-1168	2
RIVET,3.2X13.4 (Ref # 92039)	92039-0739	4
RIVET (Ref # 92039A)	92039-0747	4
RIVET (Ref # 92039B)	92039-0865	29
COLLAR (Ref # 92143)	92143-1057	3
SCREW,6X16 (Ref # 92172)	92172-0711	18
SCREW,TAPPING,6X16 (Ref # 92172A)	92172-0739	4