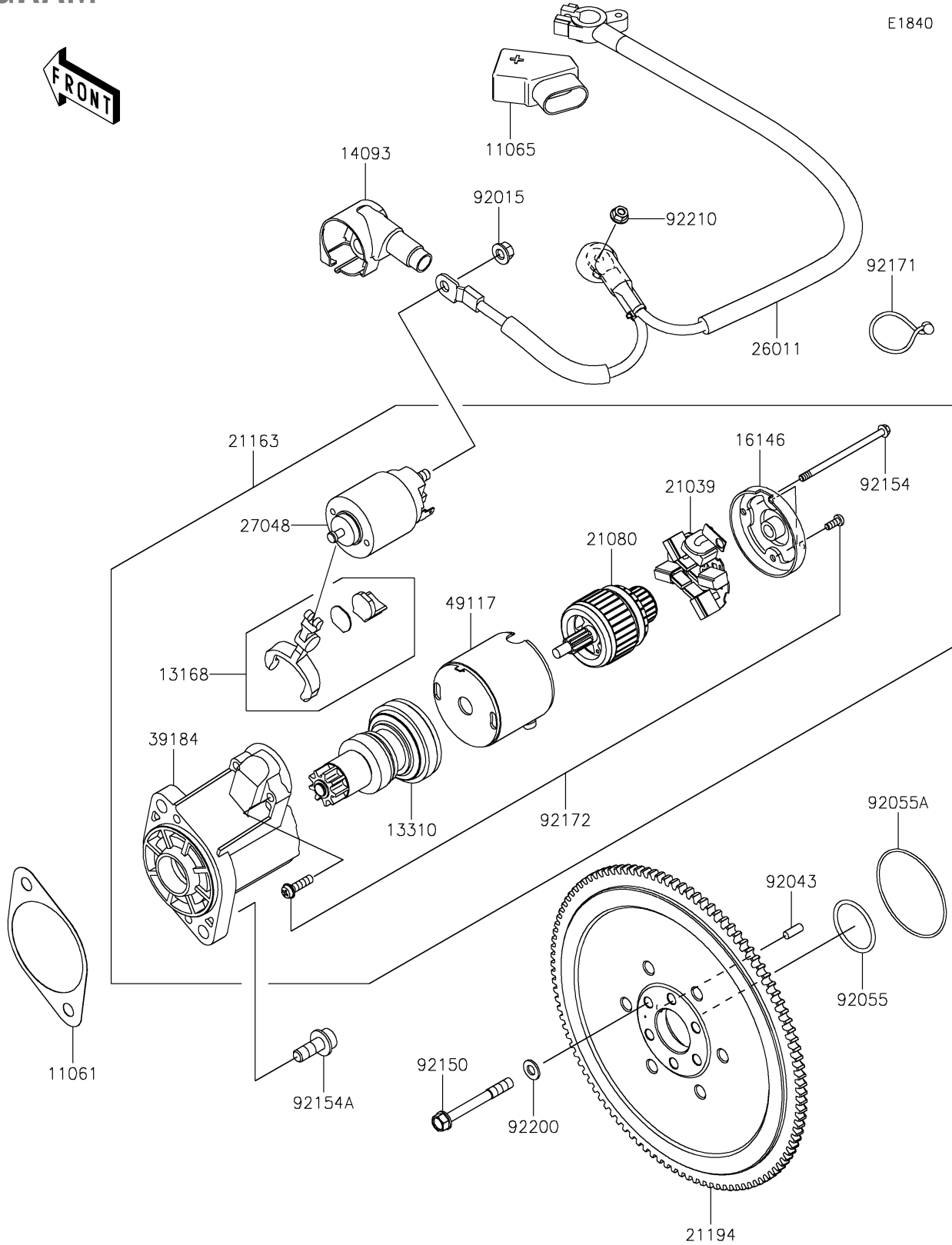


# 2024 MULE PRO-FXT™ 1000 PLATINUM RANCH EDITION PARTS DIAGRAM

Starter Motor



# 2024 MULE PRO-FXT™ 1000 PLATINUM RANCH EDITION PARTS LIST

## Starter Motor

ITEM NAME	PART NUMBER	QUANTITY
GASKET,STARTER (Ref # 11061)	11061-1463	1
CAP (Ref # 11065)	11065-0850	1
LEVER (Ref # 13168)	13168-0935	1
SHAFT-ASSY (Ref # 13310)	13310-0577	1
COVER,STARTER LEAD WIRE (Ref # 14093)	14093-1523	1
COVER-ASSY (Ref # 16146)	16146-0733	1
BRUSH (Ref # 21039)	21039-0015	1
ARMATURE (Ref # 21080)	21080-0015	1
STARTER-ELECTRIC (Ref # 21163)	21163-0805	1
FLYWHEEL-COMP (Ref # 21194)	21194-0725	1
WIRE-LEAD,BATTERY-GENERATOR (Ref # 26011)	26011-2461	1
SWITCH-ASSY (Ref # 27048)	27048-0059	1
BRACKET-ASSY (Ref # 39184)	39184-0747	1
YOKE (Ref # 49117)	49117-0610	1
NUT,8MM (Ref # 92015)	92015-1402	1
PIN,6X16 (Ref # 92043)	92043-1690	1
RING-O,35.8X3.0 (Ref # 92055)	92055-1005	1
RING-O,70.2X74.0X1.90 (Ref # 92055A)	92055-1672	1
BOLT,8X70 (Ref # 92150)	92150-1483	6
BOLT,STARTER (Ref # 92154)	92154-7040	2
BOLT,SOCKET,10X25 (Ref # 92154A)	92154-7070	2
CLAMP (Ref # 92171)	92171-1185	1
SCREW (Ref # 92172)	92172-0770	1
WASHER,8.2X16X1.6 (Ref # 92200)	92200-0047	6
NUT,6MM (Ref # 92210)	92210-0188	1