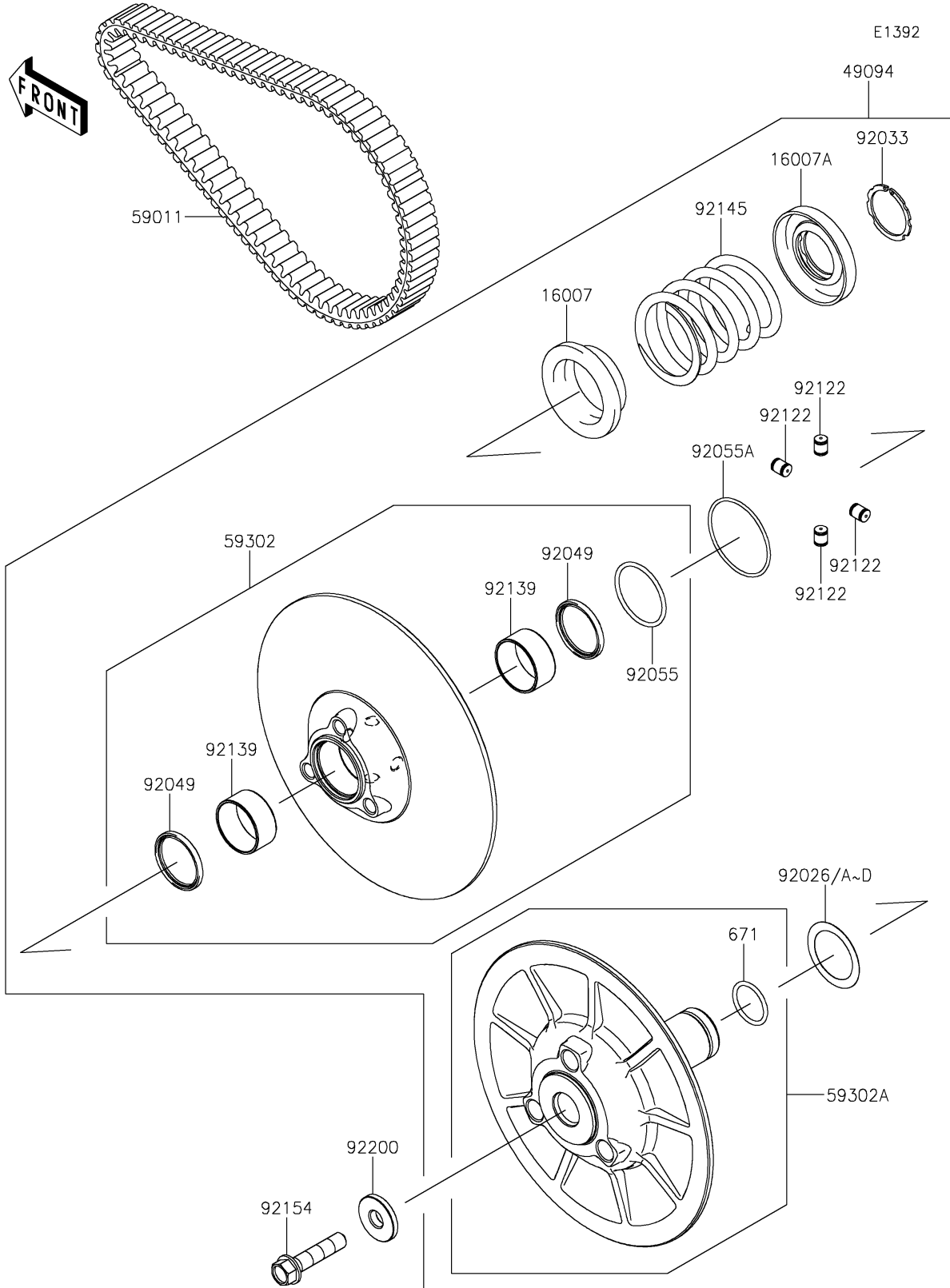


2025 MULE PRO-FXT 1000 Platinum PARTS DIAGRAM

Driven Converter/Drive Belt



2025 MULE PRO-FXT 1000 Platinum PARTS LIST

Driven Converter/Drive Belt

| ITEM NAME | PART NUMBER | QUANTITY |
|-------------------------------------|-------------|----------|
| SEAT-SPRING,MOVABLE (Ref # 16007) | 16007-0049 | 1 |
| SEAT-SPRING,FIXED (Ref # 16007A) | 16007-0050 | 1 |
| CONVERTER-ASSY-DRIVEN (Ref # 49094) | 49094-0102 | 1 |
| BELT,CVT (Ref # 59011) | 59011-0056 | 1 |
| SHEAVE-COMP,MOVABLE (Ref # 59302) | 59302-0110 | 1 |
| SHEAVE-COMP (Ref # 59302A) | 59302-0111 | 1 |
| SPACER,T=0.30 (Ref # 92026) | 92026-0034 | AR |
| SPACER,T=1.00 (Ref # 92026A) | 92026-1565 | AR |
| SPACER,T=0.60 (Ref # 92026B) | 92026-1569 | AR |
| SPACER,T=1.40 (Ref # 92026C) | 92026-1570 | AR |
| SPACER,T=0.80 (Ref # 92026D) | 92026-1617 | AR |
| RING-SNAP (Ref # 92033) | 92033-1317 | 1 |
| SEAL-OIL (Ref # 92049) | 92049-1528 | 2 |
| RING-O,46.4X3.1 (Ref # 92055) | 92055-0752 | 1 |
| RING-O,59.5X2.4 (Ref # 92055A) | 92055-0753 | 1 |
| ROLLER (Ref # 92122) | 92122-0043 | 4 |
| BUSHING (Ref # 92139) | 92139-0313 | 2 |
| SPRING (Ref # 92145) | 92145-1577 | 1 |
| BOLT,FLANGED,12X55 (Ref # 92154) | 92154-1336 | 1 |
| WASHER (Ref # 92200) | 92200-0069 | 1 |
| O RING (Ref # 671) | 671D2530 | 1 |