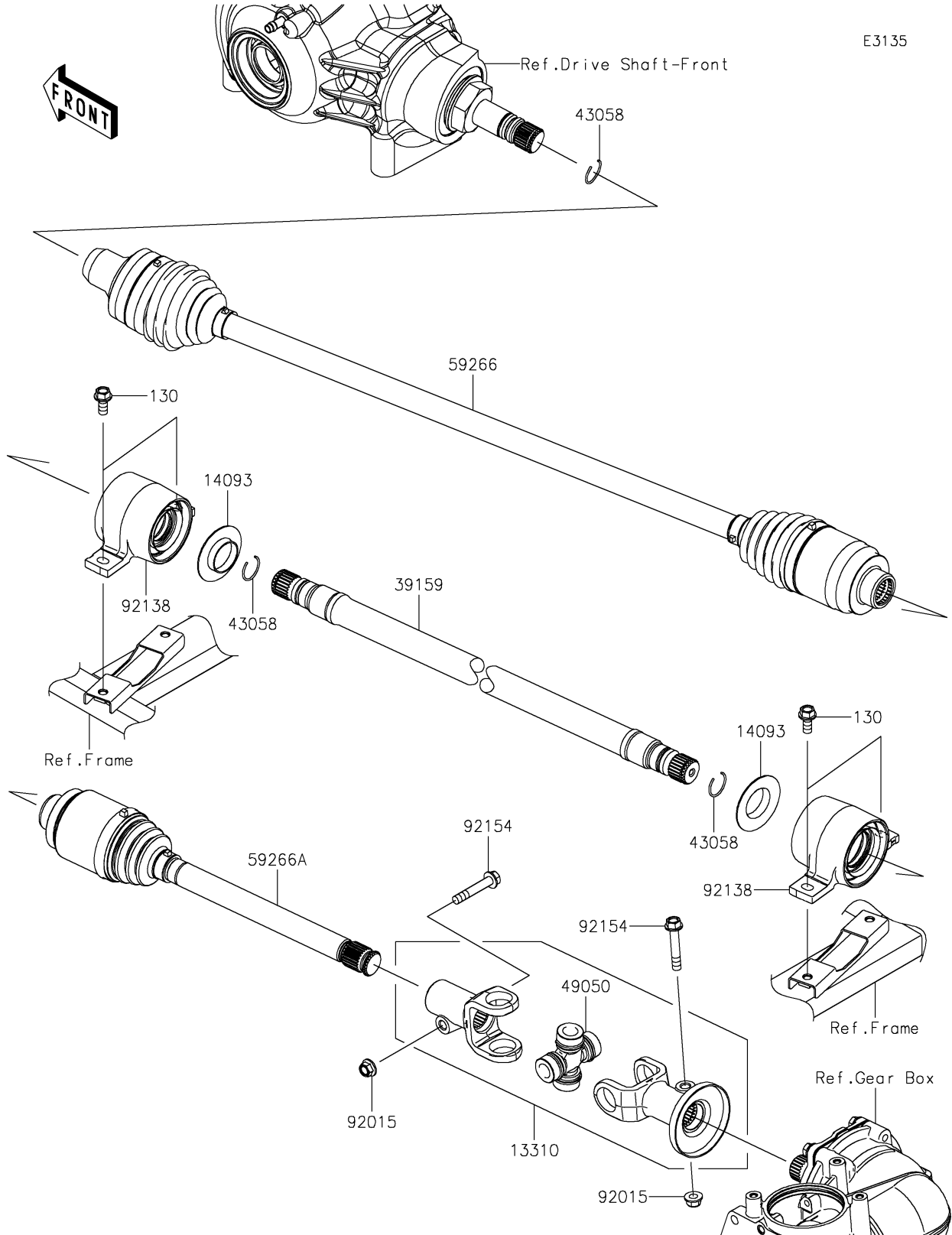


# 2024 MULE PRO-FXR™ 1000 PARTS DIAGRAM

## Drive Shaft-Propeller



## 2024 MULE PRO-FXR™ 1000 PARTS LIST

### Drive Shaft-Propeller

| ITEM NAME                              | PART NUMBER | QUANTITY |
|--|-------------|----------|
| SHAFT-ASSY (Ref # 13310)               | 13310-0038  | 1        |
| COVER,SIDE RIP (Ref # 14093)           | 14093-0006  | 2        |
| SHAFT-DRIVE (Ref # 39159)              | 39159-0572  | 1        |
| RING (Ref # 43058)                     | 43058-0018  | 3        |
| SPIDER (Ref # 49050)                   | 49050-0034  | 1        |
| JOINT-BALL,FR DIFF SIDE (Ref # 59266)  | 59266-0731  | 1        |
| JOINT-BALL,RR DIFF SIDE (Ref # 59266A) | 59266-0775  | 1        |
| NUT,8MM (Ref # 92015)                  | 92015-1432  | 2        |
| BEARING-COMP (Ref # 92138)             | 92138-0002  | 2        |
| BOLT,FLANGED,8X46 (Ref # 92154)        | 92154-1365  | 2        |
| BOLT-FLANGED,8X18 (Ref # 130)          | 130BA0818   | 4        |