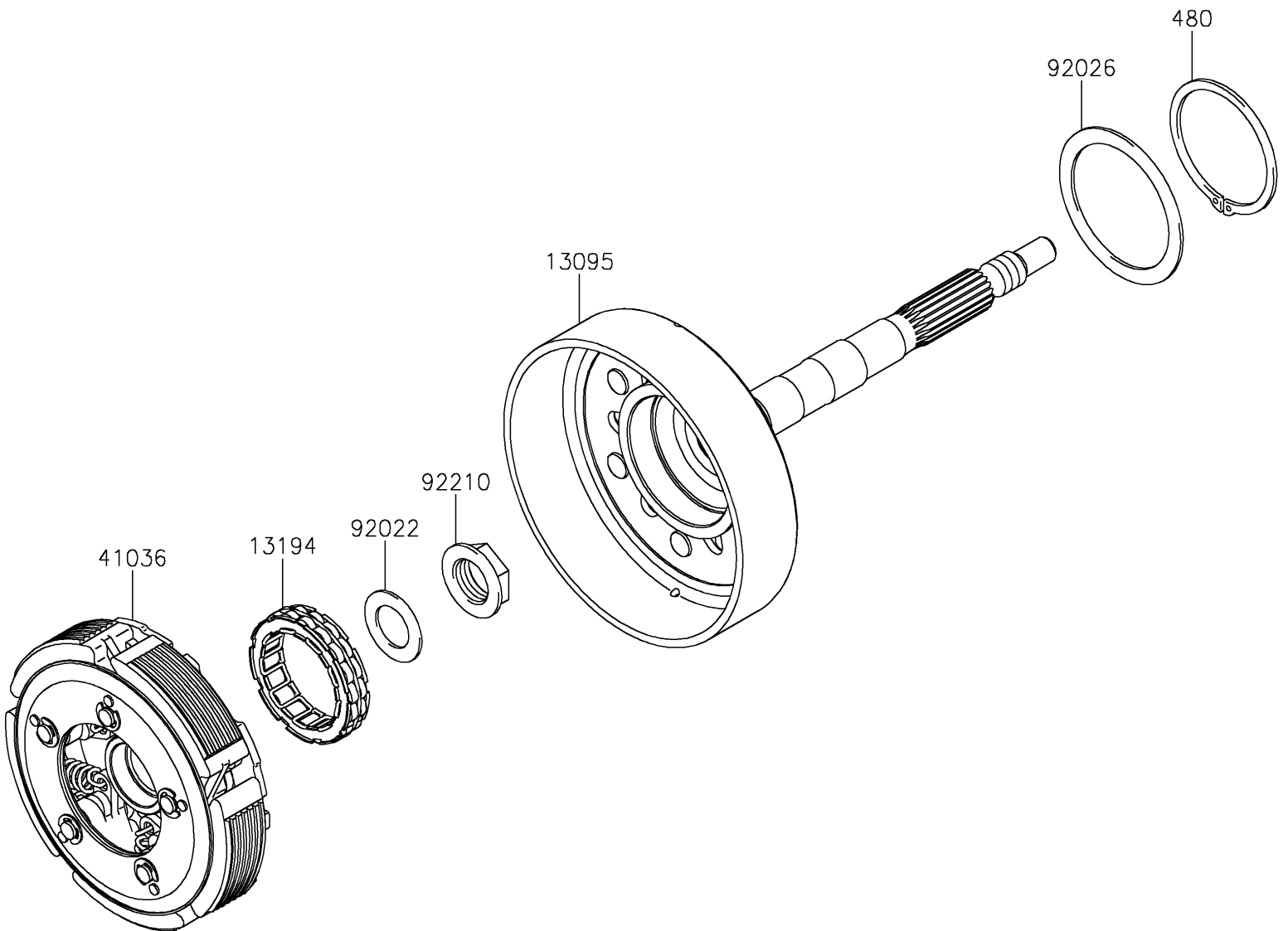


2025 TERYX4™ S SE PARTS DIAGRAM

Clutch

E1350



2025 TERYX4™ S SE PARTS LIST

Clutch

| ITEM NAME | PART NUMBER | QUANTITY |
|-----------------------------------|-------------|----------|
| HOUSING-COMP-CLUTCH (Ref # 13095) | 13095-0554 | 1 |
| CLUTCH-ONEWAY (Ref # 13194) | 13194-0555 | 1 |
| HUB-ASSY (Ref # 41036) | 41036-0639 | 1 |
| WASHER,20.5X34X1.4 (Ref # 92022) | 92022-168 | 1 |
| SPACER (Ref # 92026) | 92026-0710 | 1 |
| NUT,20MM (Ref # 92210) | 92210-0711 | 1 |
| CIRCLIP-TYPE-C,60MM (Ref # 480) | 480J6000 | 1 |