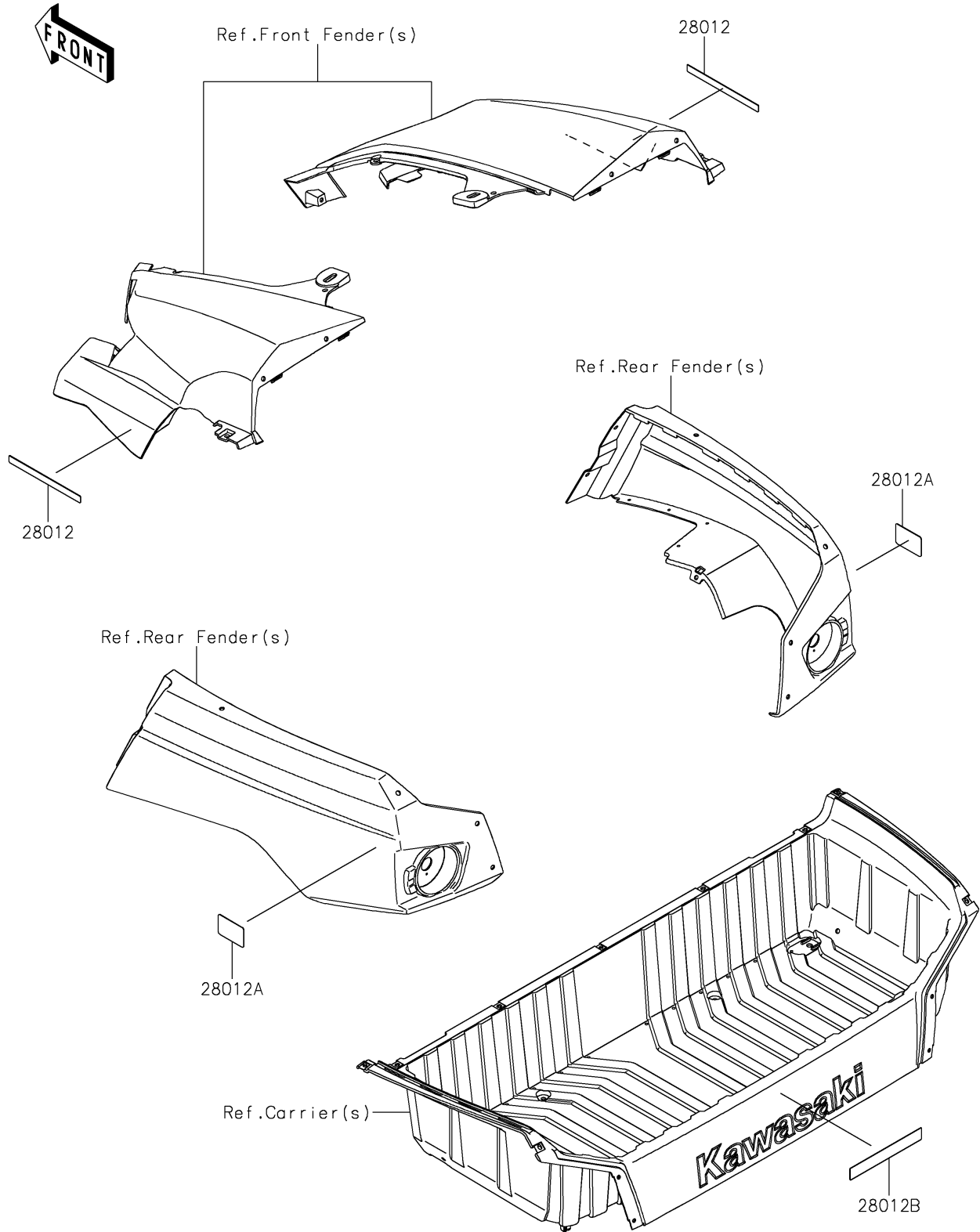


# 2024 TERYX4™ PARTS DIAGRAM

Reflectors(CN)

F2790



## 2024 TERYX4™ PARTS LIST

### Reflectors(CN)

ITEM NAME	PART NUMBER	QUANTITY
REFLECTOR-REFLEX,FR (Ref # 28012)	28012-0014	2
REFLECTOR-REFLEX,REAR,SIDE (Ref # 28012A)	28012-0017	2
REFLECTOR-REFLEX,RR,RED (Ref # 28012B)	28012-0023	1