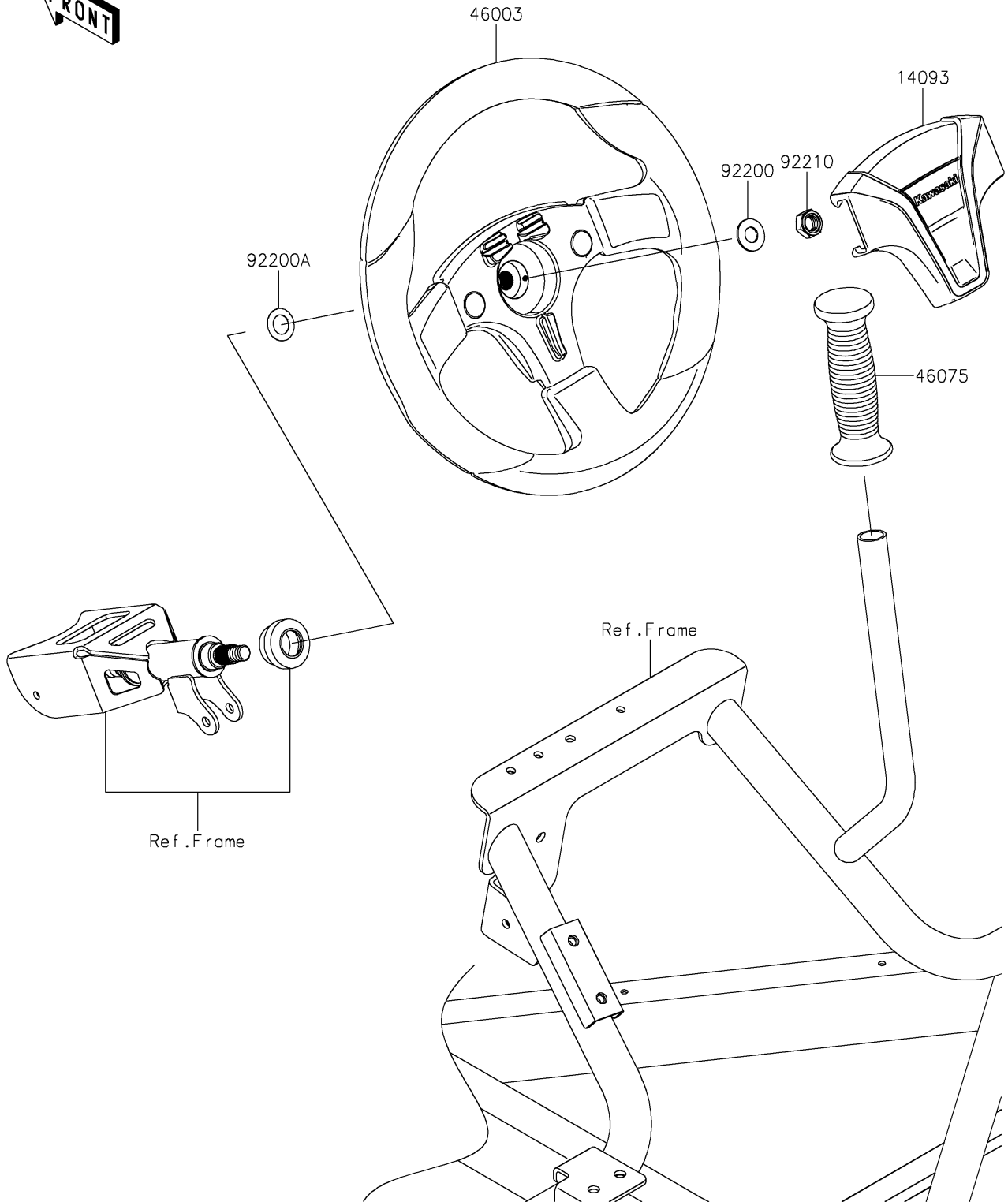


# 2024 TERYX4™ PARTS DIAGRAM

## Steering Wheel

F2311



## 2024 TERYX4™ PARTS LIST

### Steering Wheel

| ITEM NAME                        | PART NUMBER | QUANTITY |
|----------------------------------|-------------|----------|
| COVER,HANDLE (Ref # 14093)       | 14093-0803  | 1        |
| HANDLE (Ref # 46003)             | 46003-0809  | 1        |
| GRIP (Ref # 46075)               | 46075-0582  | 1        |
| WASHER,12.1X25X1.6 (Ref # 92200) | 92200-0455  | 1        |
| WASHER,15X25X1.6 (Ref # 92200A)  | 92200-0460  | 1        |
| NUT,LOCK,12MM (Ref # 92210)      | 92210-1249  | 1        |