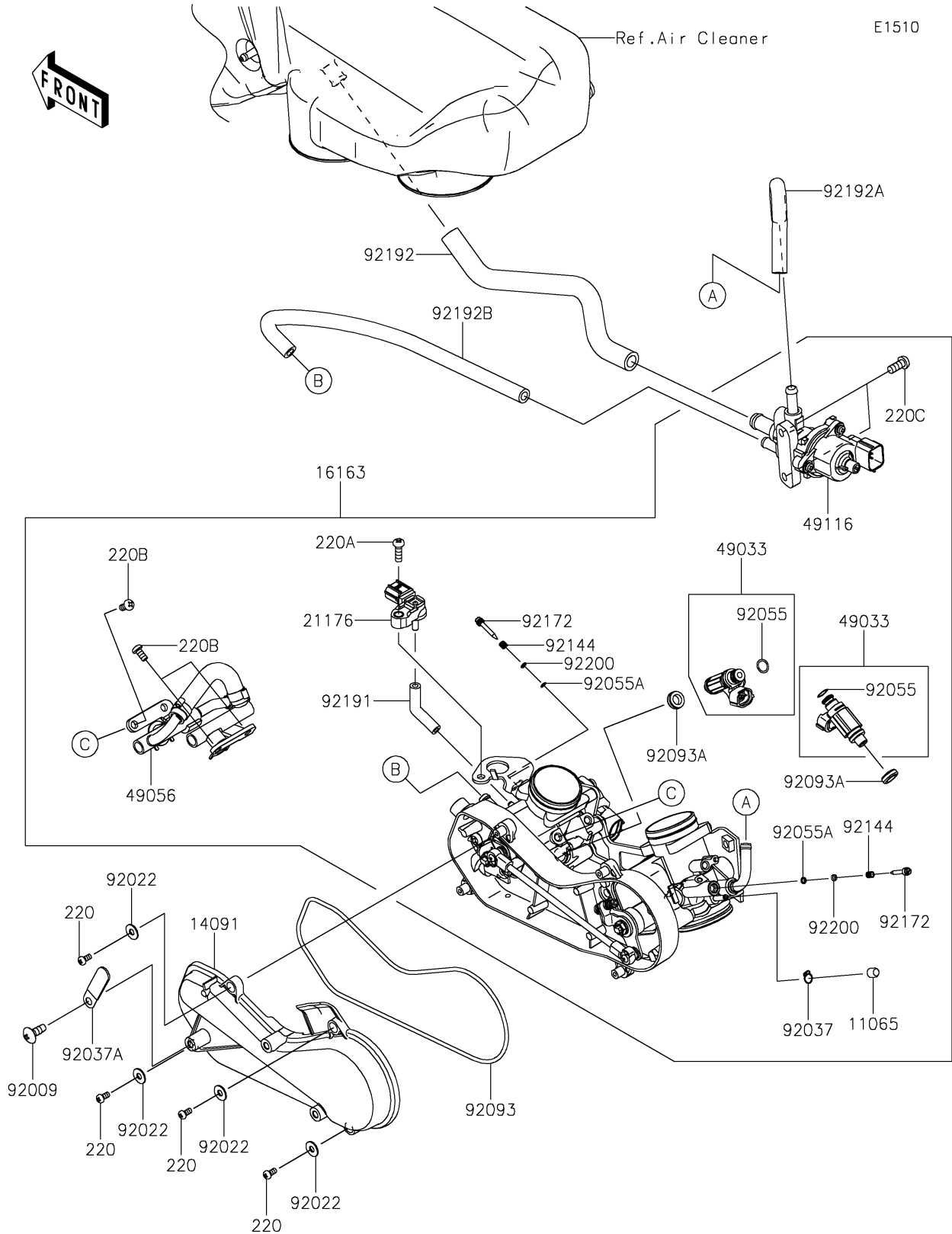


# 2024 TERYX® PARTS DIAGRAM

Throttle



## 2024 TERYX® PARTS LIST

### Throttle

ITEM NAME	PART NUMBER	QUANTITY
CAP (Ref # 11065)	11065-0072	1
COVER,THROTTLE LINK (Ref # 14091)	14091-1731	1
THROTTLE-ASSY,36EIS (Ref # 16163)	16163-0790	1
SENSOR,PRESSURE (Ref # 21176)	21176-0906	1
NOZZLE-INJECTION (Ref # 49033)	49033-0011	2
PIPE-INJECTION (Ref # 49056)	49056-0033	1
VALVE-ASSY,ISC (Ref # 49116)	49116-0021	1
SCREW,6X12 (Ref # 92009)	92009-1480	1
WASHER,5.2X13X1 (Ref # 92022)	92022-1380	4
CLAMP,TUBE (Ref # 92037)	92037-1124	1
CLAMP,L=45 (Ref # 92037A)	92037-1539	1
RING-O,INJECTION NOZZLE (Ref # 92055)	92055-1622	2
RING-O,AIR SCREW (Ref # 92055A)	92055-1658	2
SEAL (Ref # 92093)	92093-0082	1
SEAL (Ref # 92093A)	92093-0127	2
SPRING,THROTTLE STOP SCREW (Ref # 92144)	92144-1674	2
SCREW (Ref # 92172)	92172-0156	2
TUBE,3.2X7.4X70 (Ref # 92191)	92191-1552	1
TUBE,ISC-CHAMBER (Ref # 92192)	92192-0948	1
TUBE,ISC-THROTTLE RR (Ref # 92192A)	92192-1211	1
TUBE,ISC-THROTTLE FR (Ref # 92192B)	92192-1212	1
WASHER,PILOT AIR SCREW (Ref # 92200)	92200-1564	2
SCREW-PAN-CROS,4X8 (Ref # 220)	220AA0408	4
SCREW-PAN-CROS,5X16 (Ref # 220A)	220AA0516	1
SCREW-PAN-CROS,6X12 (Ref # 220B)	220AA0612	4
SCREW-PAN-CROS,6X14 (Ref # 220C)	220AA0614	2