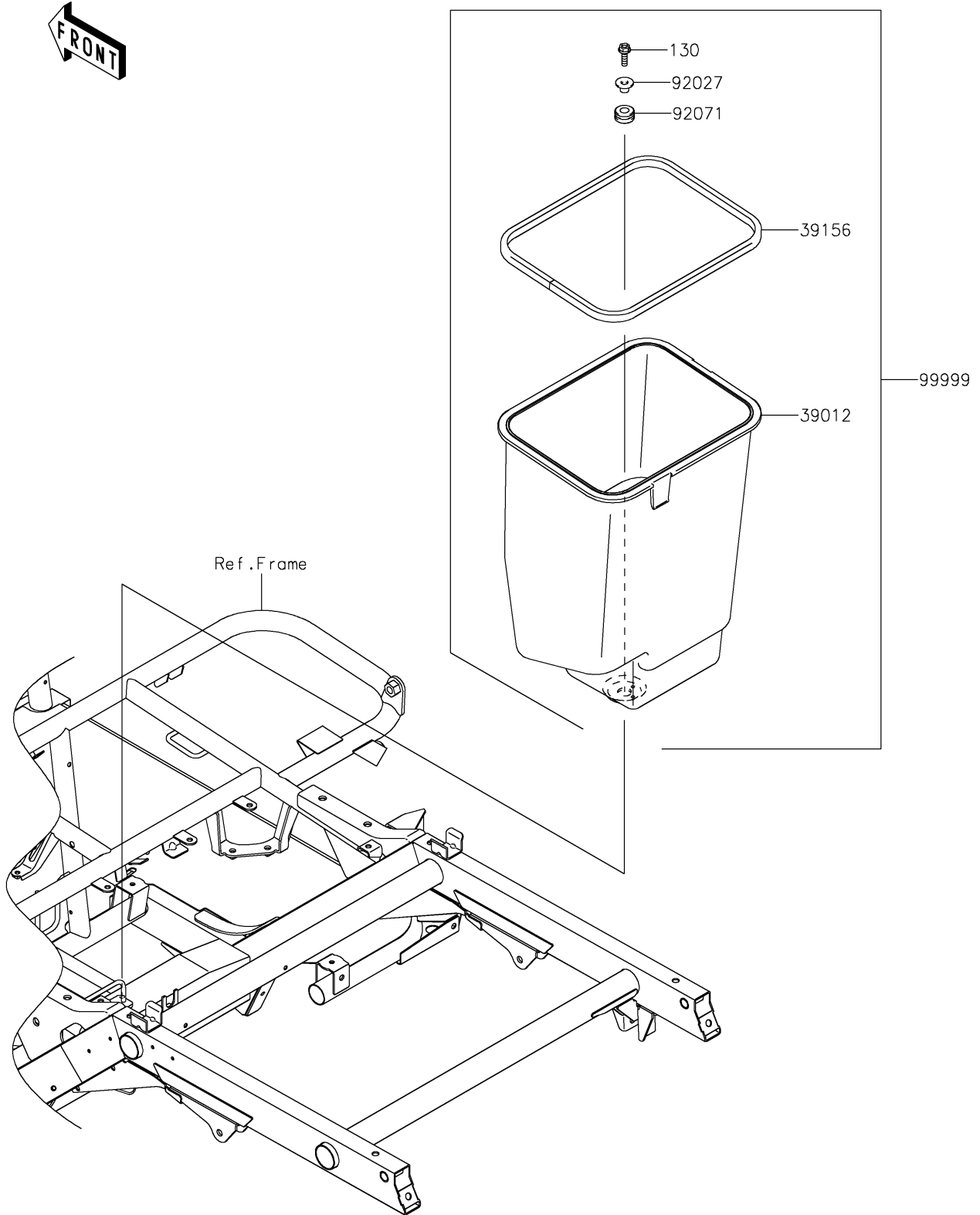


# 2021 MULE SX™ 4x4 XC LE FI PARTS DIAGRAM

Optional Parts(Frame)(TMFNN/TNFNN)

F2890A



# 2021 MULE SX™ 4x4 XC LE FI PARTS LIST

Optional Parts(Frame)(TMFNN/TNFNN)

| ITEM NAME | PART NUMBER | QUANTITY |
|-----------|-------------|----------|
|-----------|-------------|----------|