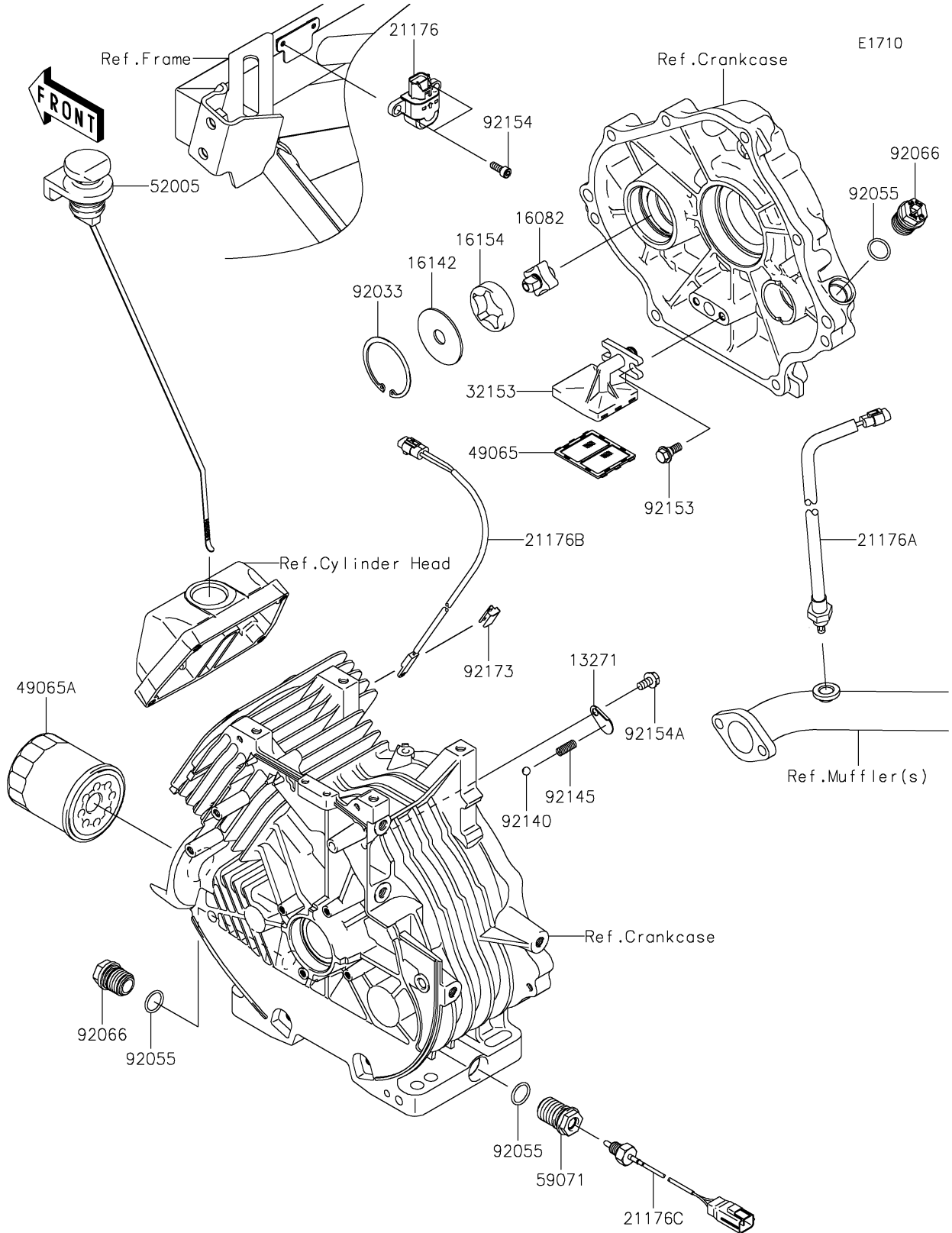


2021 MULE SX™ 4x4 XC LE FI PARTS DIAGRAM

Oil Pump/Oil Filter



2021 MULE SX™ 4x4 XC LE FI PARTS LIST

Oil Pump/Oil Filter

| ITEM NAME | PART NUMBER | QUANTITY |
|-----------------------------------|-------------|----------|
| PLATE,OIL RELIEF (Ref # 13271) | 13271-7026 | 1 |
| PUMP-ASSY-OIL (Ref # 16082) | 16082-0760 | 1 |
| COVER-PUMP (Ref # 16142) | 16142-0745 | 1 |
| ROTOR-PUMP,OUT (Ref # 16154) | 16154-2054 | 1 |
| SENSOR,VEHICLE-DOWN (Ref # 21176) | 21176-0026 | 1 |
| SENSOR,OXYGEN (Ref # 21176A) | 21176-0873 | 1 |
| SENSOR,TEMP (Ref # 21176B) | 21176-0879 | 1 |
| SENSOR,OIL TEMP (Ref # 21176C) | 21176-2108 | 1 |
| PIPE (Ref # 32153) | 32153-7002 | 1 |
| FILTER-OIL (Ref # 49065) | 49065-0717 | 1 |
| FILTER-OIL (Ref # 49065A) | 49065-0724 | 1 |
| GAUGE,OIL LEVEL (Ref # 52005) | 52005-7020 | 1 |
| JOINT,SENSOR (Ref # 59071) | 59071-0745 | 1 |
| RING-SNAP (Ref # 92033) | 92033-7008 | 1 |
| RING-O,15.8X2.4 (Ref # 92055) | 92055-0892 | 3 |
| PLUG (Ref # 92066) | 92066-0774 | 2 |
| BALL (Ref # 92140) | 92140-7001 | 1 |
| SPRING,OIL RELIEF (Ref # 92145) | 92145-1807 | 1 |
| BOLT,FLANGED,6X16 (Ref # 92153) | 92153-7007 | 2 |
| BOLT,SOCKET,5X14 (Ref # 92154) | 92154-1841 | 2 |
| BOLT,6X12 (Ref # 92154A) | 92154-2938 | 1 |
| CLAMP,TEMP SENSOR (Ref # 92173) | 92173-1905 | 1 |