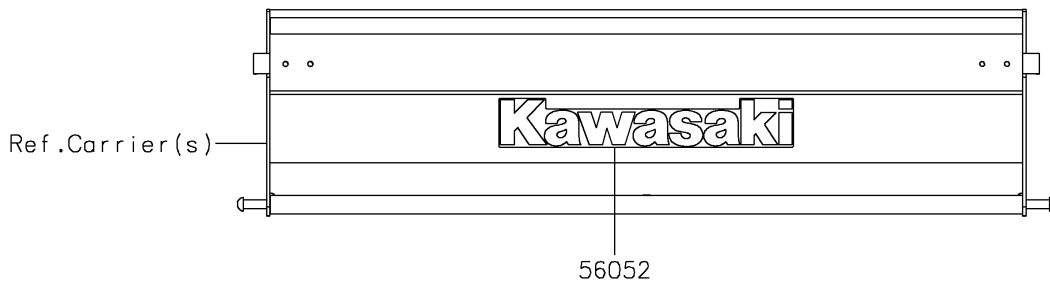
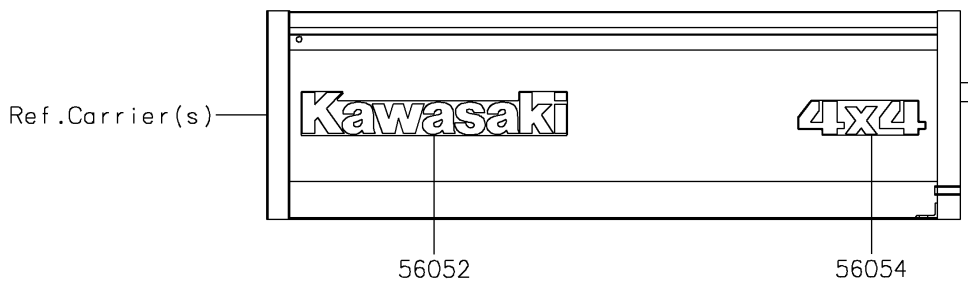
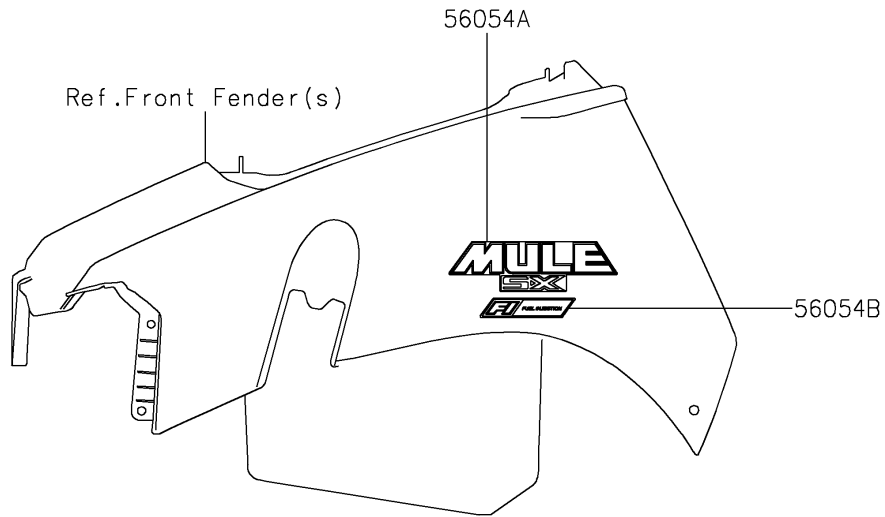


2022 MULE SX™ 4x4 FI

PARTS DIAGRAM

Decals

F2861



2022 MULE SX™ 4x4 FI

PARTS LIST

Decals

| ITEM NAME | PART NUMBER | QUANTITY |
|--|-------------|----------|
| MARK,KAWASAKI (Ref # 56052) | 56052-1809 | 3 |
| MARK,SIDE PLATE,4X4 (Ref # 56054) | 56054-1809 | 2 |
| MARK,FR FENDER,MULE SX (Ref # 56054A) | 56054-2063 | 2 |
| MARK,FR FENDER,FUEL INJECTION (Ref # 56054B) | 56054-2459 | 2 |