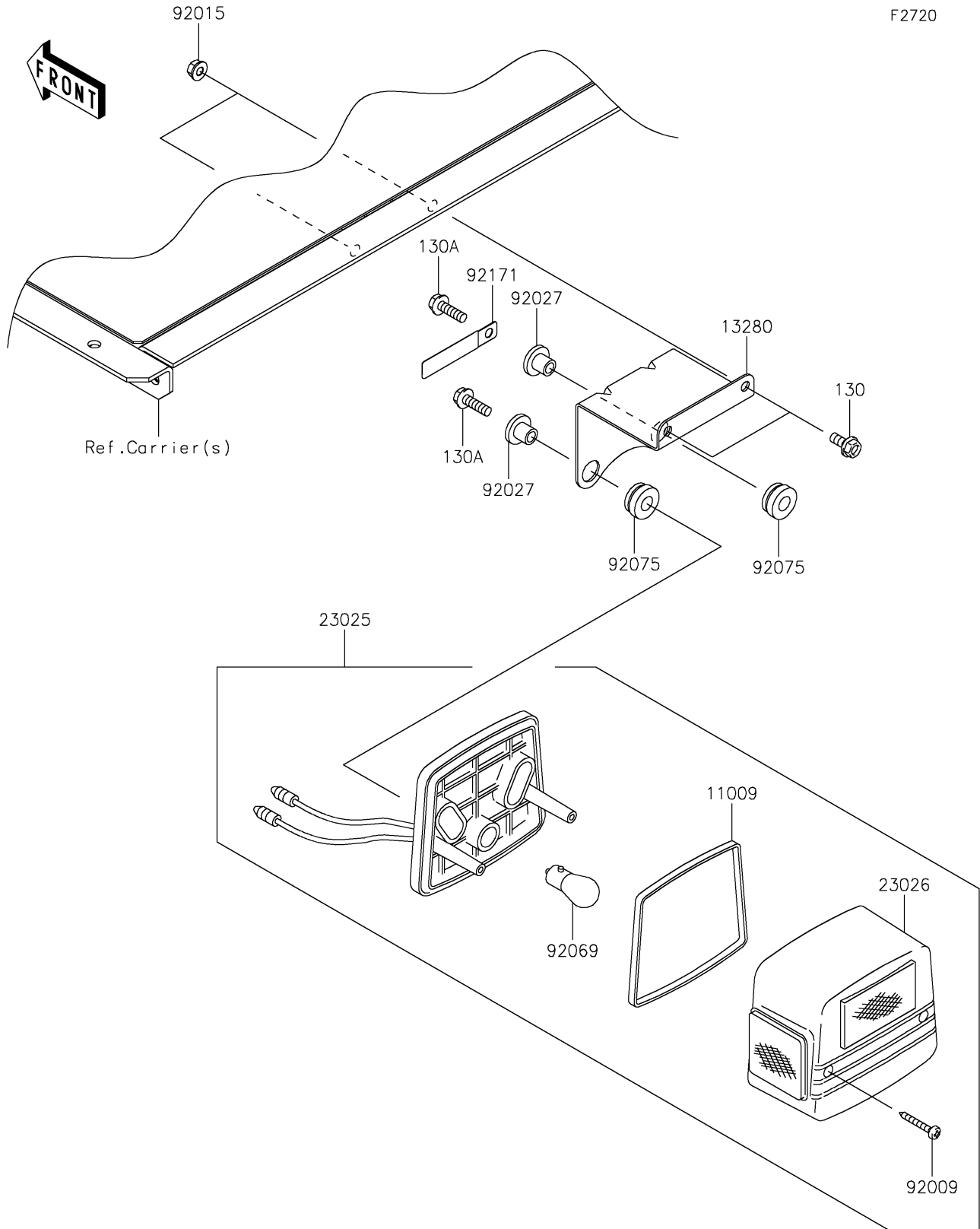


# 2020 MULE SX™ 4x4 SE FI PARTS DIAGRAM

Taillight(s)

F2720



## 2020 MULE SX™ 4x4 SE FI PARTS LIST

### Taillight(s)

| ITEM NAME                        | PART NUMBER | QUANTITY |
|----------------------------------|-------------|----------|
| GASKET,TAIL LAMP (Ref # 11009)   | 11009-1215  | 1        |
| HOLDER,TAIL LAMP (Ref # 13280)   | 13280-0079  | 1        |
| LAMP-TAIL (Ref # 23025)          | 23025-1042  | 1        |
| LENS,TAIL LAMP (Ref # 23026)     | 23026-1019  | 1        |
| SCREW,TAPPING,4X25 (Ref # 92009) | 92009-1069  | 2        |
| NUT,FLANGED,6MM (Ref # 92015)    | 92015-1367  | 2        |
| COLLAR,L=11.1 (Ref # 92027)      | 92027-194   | 2        |
| BULB,12V 21/5W (Ref # 92069)     | 92069-1011  | 1        |
| DAMPER (Ref # 92075)             | 92075-277   | 2        |
| CLAMP,L=60 (Ref # 92171)         | 92171-0652  | 1        |
| BOLT-FLANGED,6X14 (Ref # 130)    | 130BA0614   | 2        |
| BOLT-FLANGED,6X20 (Ref # 130A)   | 130BA0620   | 2        |