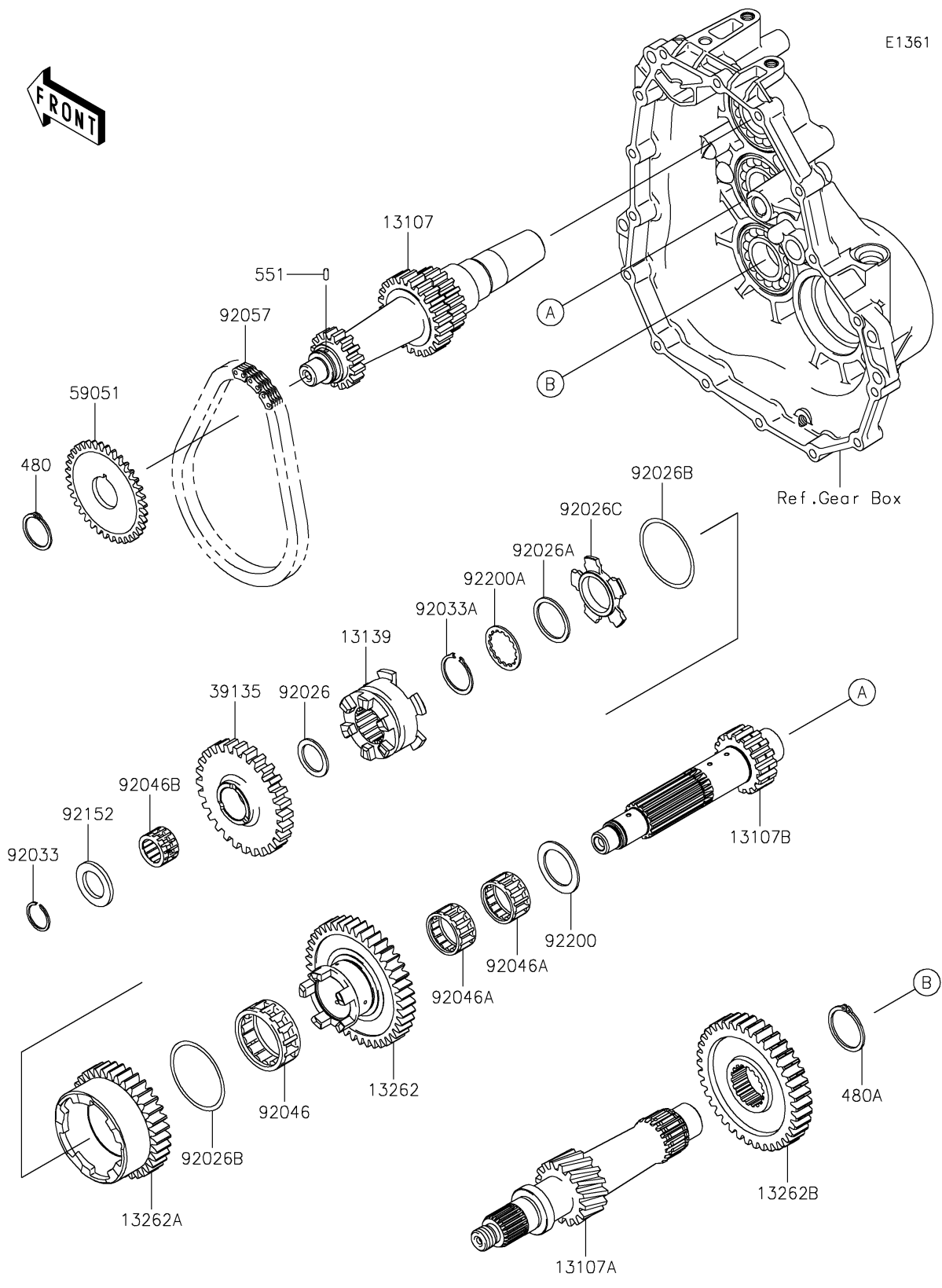


2020 MULE SX™ 4x4 XC LE FI PARTS DIAGRAM

Transmission



2020 MULE SX™ 4x4 XC LE FI PARTS LIST

Transmission

ITEM NAME	PART NUMBER	QUANTITY
-----------	-------------	----------