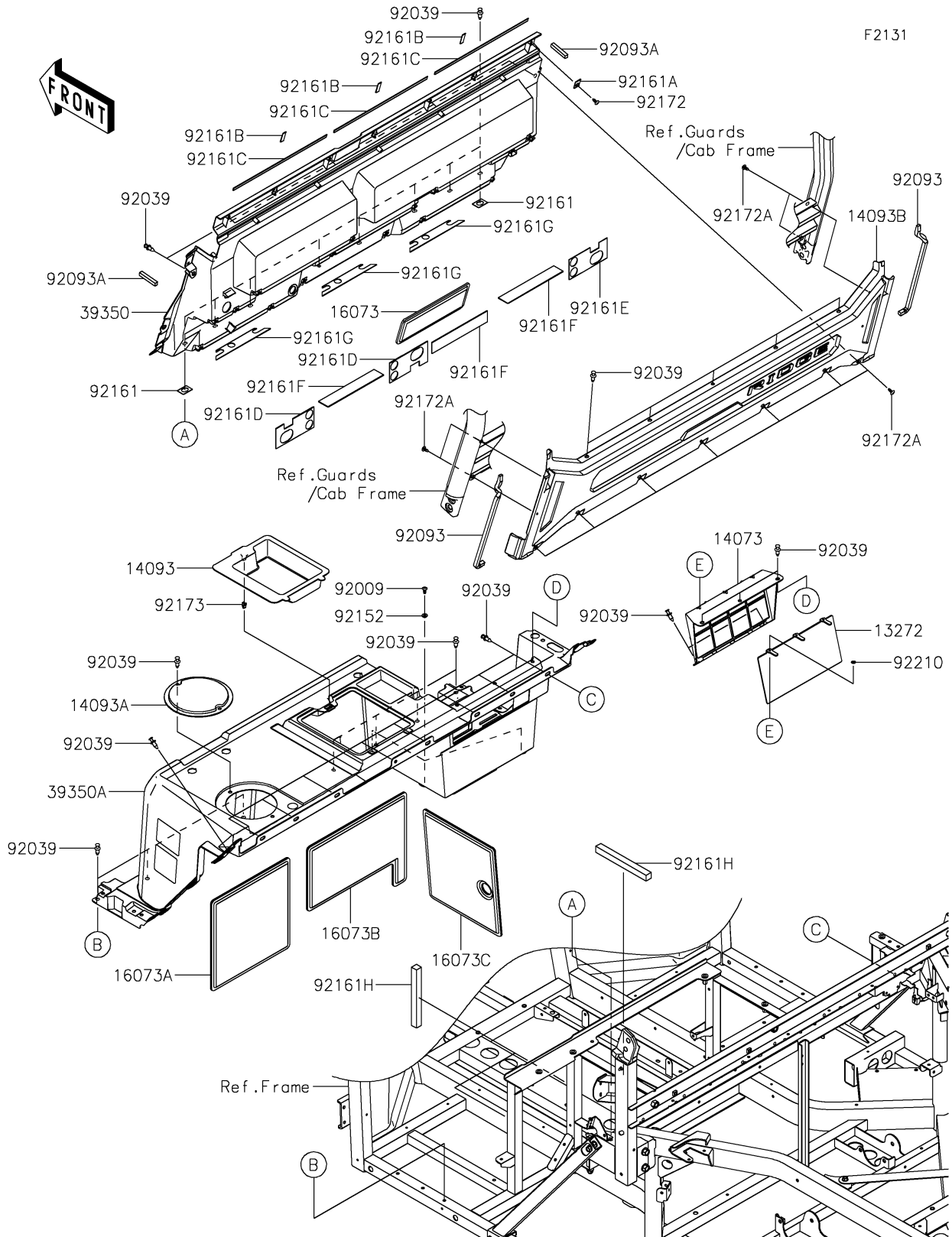


2024 RIDGE® XR HVAC PARTS DIAGRAM

Frame Fittings(Rear)



2024 RIDGE® XR HVAC PARTS LIST

Frame Fittings(Rear)

ITEM NAME	PART NUMBER	QUANTITY
PLATE,VENT FLAP (Ref # 13272)	13272-4095	1
DUCT,VENT (Ref # 14073)	14073-1921	1
COVER,TRAY (Ref # 14093)	14093-1333	1
COVER,HOLE (Ref # 14093A)	14093-1334	1
COVER,RR (Ref # 14093B)	14093-1353	1
INSULATOR,FR TUNNEL&BACK PANEL (Ref # 16073)	16073-0947	1
INSULATOR,SEAT PANEL,LH (Ref # 16073A)	16073-0967	1
INSULATOR,SEAT PANEL,CNT (Ref # 16073B)	16073-0968	1
INSULATOR,SEAT PANEL,RH (Ref # 16073C)	16073-0969	1
PANEL,BACK (Ref # 39350)	39350-0008	1
PANEL,UNDER SEAT (Ref # 39350A)	39350-0010	1
SCREW,TAPPING,6X16 (Ref # 92009)	92009-1166	3
RIVET (Ref # 92039)	92039-0776	38
SEAL,10X10X395 (Ref # 92093)	92093-0780	2
SEAL,10X10X60 (Ref # 92093A)	92093-0786	2
COLLAR,6.3X9.5X4.1 (Ref # 92152)	92152-1571	3
DAMPER (Ref # 92161)	92161-2613	2
DAMPER (Ref # 92161A)	92161-2626	4
DAMPER,12X36X1.5 (Ref # 92161B)	92161-2627	3
DAMPER,10X370X1.5 (Ref # 92161C)	92161-2628	3
DAMPER (Ref # 92161D)	92161-2629	2
DAMPER (Ref # 92161E)	92161-2630	1
DAMPER,38X220X1.5 (Ref # 92161F)	92161-2631	3
DAMPER (Ref # 92161G)	92161-2632	3
DAMPER,20X200X20 (Ref # 92161H)	92161-2633	3
SCREW,6X16 (Ref # 92172)	92172-0284	4
SCREW,TAPPING,6X16 (Ref # 92172A)	92172-1470	11
CLAMP (Ref # 92173)	92173-1423	1
NUT (Ref # 92210)	92210-1796	3