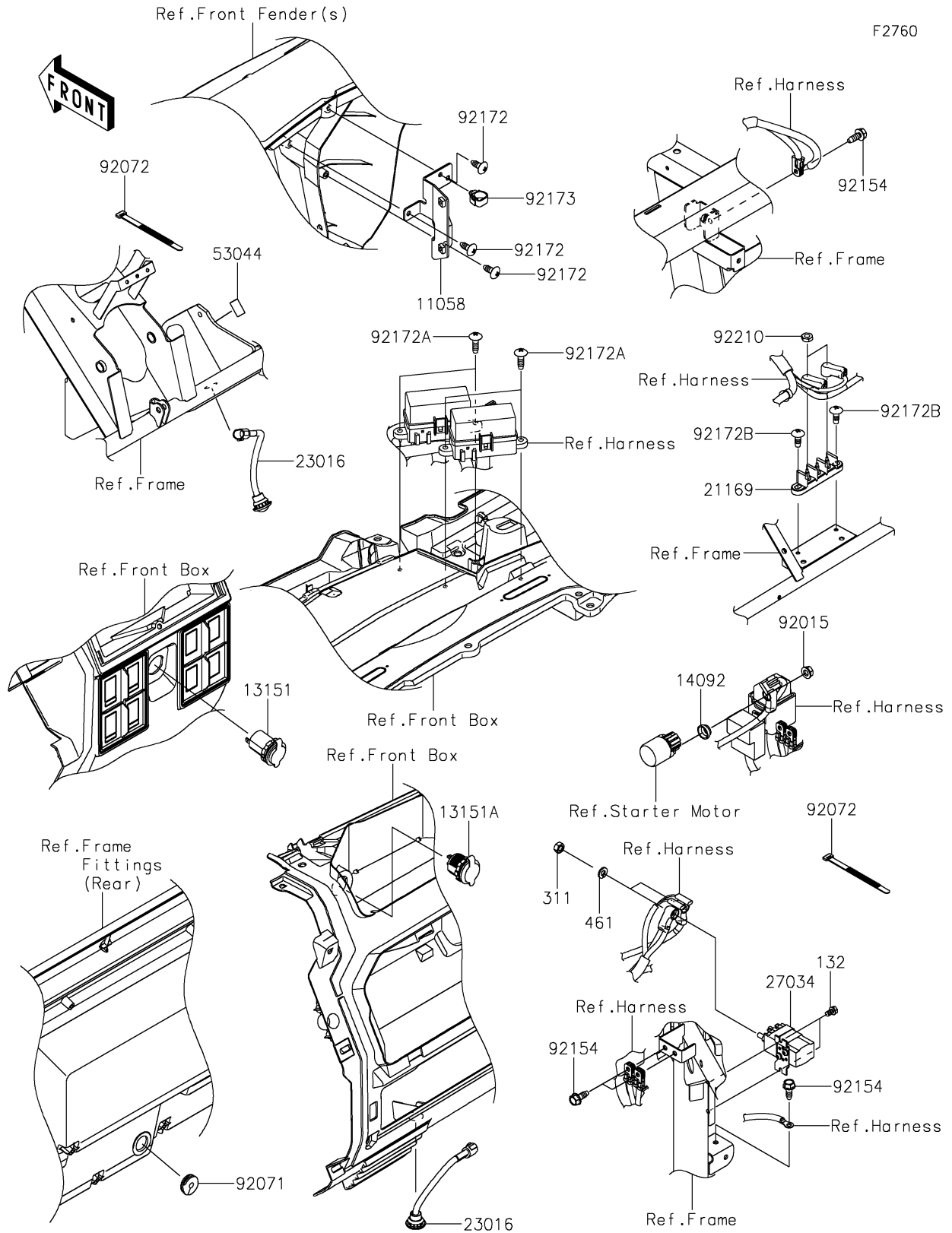


2024 Ridge Ranch Edition PARTS DIAGRAM

Chassis Electrical Equipment



2024 Ridge Ranch Edition PARTS LIST

Chassis Electrical Equipment

| ITEM NAME | PART NUMBER | QUANTITY |
|---------------------------------------|-------------|----------|
| BRACKET,TERMINAL (Ref # 11058) | 11058-1926 | 1 |
| SWITCH-COMP,OUTLET,12V (Ref # 13151) | 13151-0556 | 1 |
| SWITCH-COMP,USB-SOCKET (Ref # 13151A) | 13151-0601 | 1 |
| COVER,MAGNETIC SW. (Ref # 14092) | 14092-0851 | 1 |
| TERMINAL (Ref # 21169) | 21169-0571 | 1 |
| LAMP-ASSY,FLOOR (Ref # 23016) | 23016-0671 | 2 |
| RELAY (Ref # 27034) | 27034-0020 | 1 |
| TRIM,L=22 (Ref # 53044) | 53044-7503 | 1 |
| NUT,FLANGED,6MM (Ref # 92015) | 92015-1367 | 1 |
| GROMMET,8X22X8 (Ref # 92071) | 92071-0753 | 1 |
| BAND,L=123 (Ref # 92072) | 92072-030 | 2 |
| BOLT,FLANGED,6X16 (Ref # 92154) | 92154-0551 | 4 |
| SCREW,6X16 (Ref # 92172) | 92172-0284 | 3 |
| SCREW,TAPPING,6X20 (Ref # 92172A) | 92172-0488 | 4 |
| SCREW,TAPPING,6X16 (Ref # 92172B) | 92172-0739 | 2 |
| CLAMP,HOLDER CLIP (Ref # 92173) | 92173-0868 | 1 |
| NUT (Ref # 92210) | 92210-1680 | 2 |
| BOLT-FLANGED-SMALL,5X8 (Ref # 132) | 132BA0508 | 2 |
| NUT-HEX,6MM (Ref # 311) | 311BA0600 | 2 |
| WASHER-SPRING,6MM (Ref # 461) | 461DA0600 | 2 |