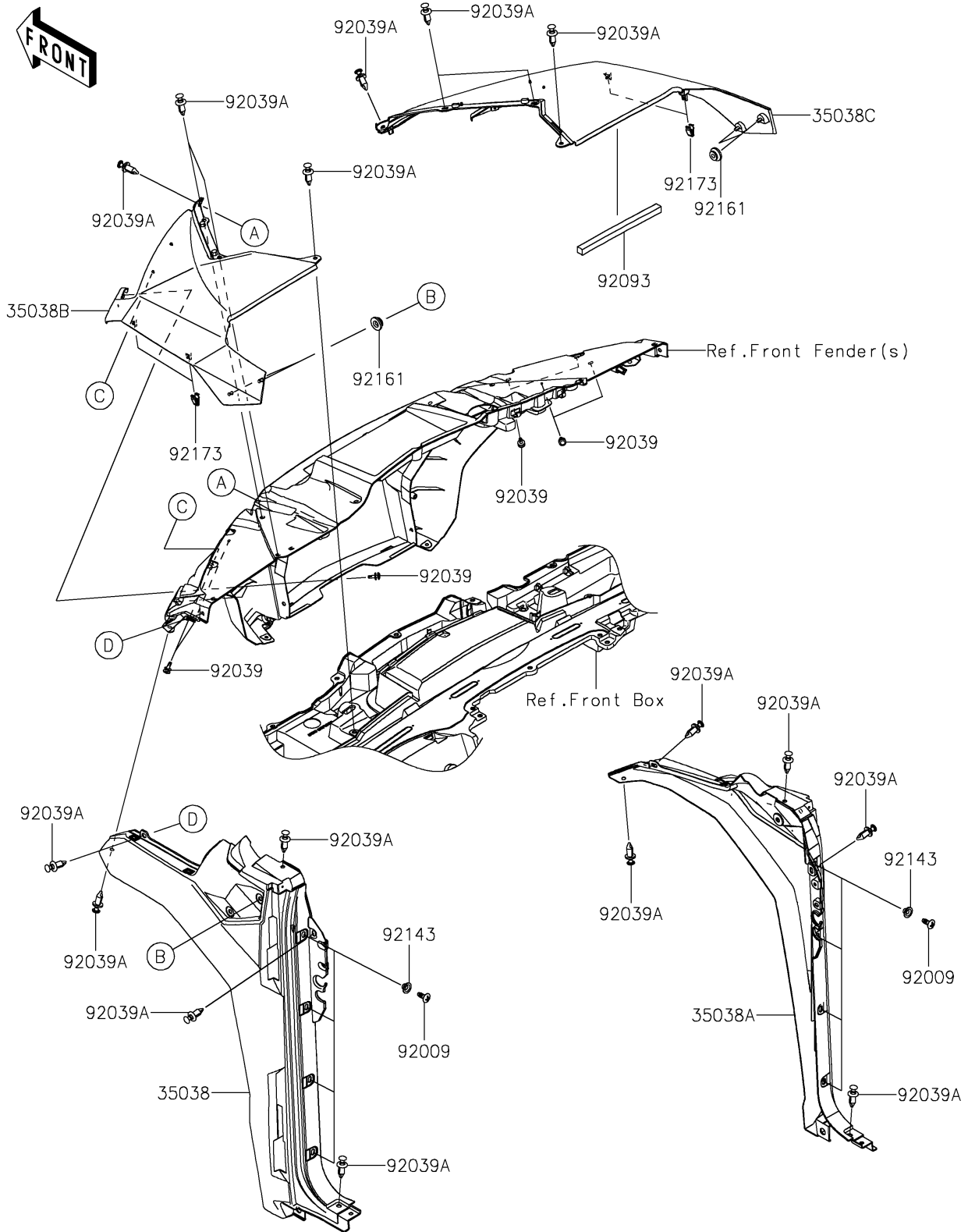


2024 Ridge Ranch Edition PARTS DIAGRAM

Fenders

F2170



2024 Ridge Ranch Edition PARTS LIST

Fenders

ITEM NAME	PART NUMBER	QUANTITY
FENDER-FRONT,LWR,LH (Ref # 35038)	35038-0035	1
FENDER-FRONT,LWR,RH (Ref # 35038A)	35038-0036	1
FENDER-FRONT,UPP,LH,M.S.WHITE (Ref # 35038B)	35038-0039-31Y	1
FENDER-FRONT,UPP,RH,M.S.WHITE (Ref # 35038C)	35038-0040-31Y	1
SCREW,TAPPING,6X16 (Ref # 92009)	92009-1166	8
RIVET (Ref # 92039)	92039-0046	8
RIVET (Ref # 92039A)	92039-0776	18
SEAL,15X15X235 (Ref # 92093)	92093-0782	1
COLLAR (Ref # 92143)	92143-1057	8
DAMPER (Ref # 92161)	92161-1531	4
CLAMP (Ref # 92173)	92173-1423	4